

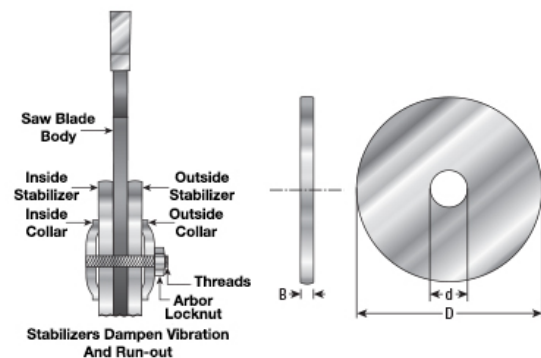
Edge of Arlington Saw & Tool, Inc.

124 South Collins
Arlington, TX 76010
Phone: 817-461-7171 • Fax: 817-795-6651
Toll Free: 888-461-7171
Email: info@eoasaw.com
Website: www.eoasaw.com



Item #STF-4, Amana Tool Pair of Blade Stabilizers 4 Inch Diameter x 5/8 Bore **\$19.62**

Thank you for shopping with us!
The purpose of blade stabilizers is to increase the overall stiffness of the saw blade, thus reducing vibration. Reduction in vibration improves cut quality and dampens noise. Stabilizers are particularly beneficial when used with thin-kerf blades. Amana Tool® stabilizers are made from the steel used for our Industrial Series saw blades. The steel is ground (not stamped), and it is extremely flat on both sides to reduce run-out and vibration. Please note that depth of cut will be reduced slightly and interference between the stabilizers and the table insert may occur. You may use one or two stabilizers, depending on the application and arbor length. Each order number consists of one pair.



SPECIFICATIONS

Manufacturer	Amana Tool
Diameter	4 in
Bore	5/8 in
Kerf	.098 (x2)
Note	Each order number consists of one pair.
Usage/System	Saw blade diameters 8 to 12 in