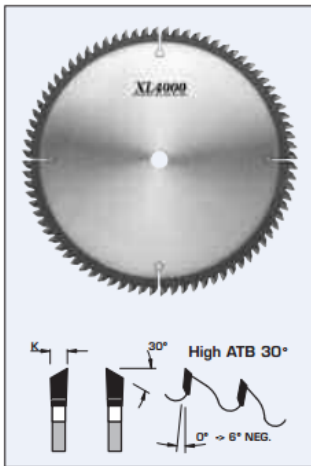


## Edge of Arlington Saw & Tool, Inc.

124 South Collins  
Arlington, TX 76010  
Phone: 817-461-7171 • Fax: 817-795-6651  
Toll Free: 888-461-7171  
Email: [info@eoasaw.com](mailto:info@eoasaw.com)  
Website: [www.eoasaw.com](http://www.eoasaw.com)



### Item #SM6201, FS Tool XL4000 Extended Life Chip-Free Melamine Trim Blades

**\$181.76**

Thank you for shopping with us!

#### Design:

- Tooth configuration: High ATB 30 deg
- Cutting Material: TC XL4000
- Expansion slots: Cu Plugged

#### Application:

- For chip-free sizing cuts (on both sides) in melamine and wood veneered panels, without the need for prescoring
- For fine crosscutting in solid woods
- On table saws, sliding table saws, vertical panel sizing saws, and cut-off saws

## SPECIFICATIONS

<b>Manufacturer</b>	FS Tool
<b>Diameter</b>	8 in
<b>Bore</b>	5/8 in
<b>Kerf</b>	.118 in
<b>Machine</b>	--
<b>Plate</b>	0.087 in
<b>Teeth</b>	60