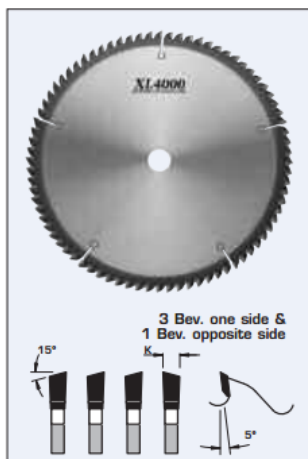


Edge of Arlington Saw & Tool, Inc.

124 South Collins
Arlington, TX 76010
Phone: 817-461-7171 • Fax: 817-795-6651
Toll Free: 888-461-7171
Email: info@eoasaw.com
Website: www.eoasaw.com



Item #S4D250-RH, FS Tool XL4000 Extended Life Double Cut-Off Saw Blades

\$229.28

Thank you for shopping with us! .

Right-Hand

Design:

- Tooth configuration: 3 beveled one side & 1 beveled opposite side
- Cutting Material: TC XL4000
- Extra heavy plate provides added stability
- Expansion slots: Cu Plugged

Application:

- For fine cut-off and mitre cuts of soft and hardwoods, and trimming of plywood, wood veneered and plastic laminated panels single-sided, or double-sided using a pre-scoring unit.
- On double cut-off machines and single- or double-end tenoners

SPECIFICATIONS

Diameter	10 in
Bore	5/8 in
Kerf	.165 in
Manufacturer	FS Tool
Plate	.118 in
Teeth	60