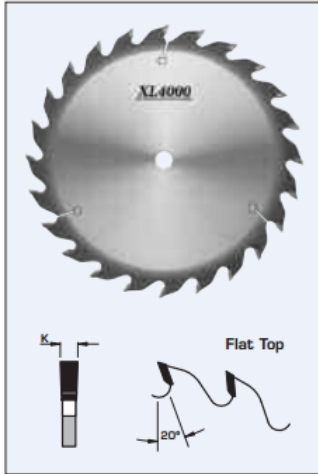


## Edge of Arlington Saw & Tool, Inc.

124 South Collins  
Arlington, TX 76010  
Phone: 817-461-7171 • Fax: 817-795-6651  
Toll Free: 888-461-7171  
Email: [info@eoasaw.com](mailto:info@eoasaw.com)  
Website: [www.eoasaw.com](http://www.eoasaw.com)



### Item #S21300, FS Tool XL4000 Extended Life Heavy Duty Rip Saw Blades \$173.00

Thank you for shopping with us!

#### Design:

- Tooth configuration: Flat Top
- Cutting Material: TC XL4000
- Expansion slots: Cu Plugged

#### Application:

- For ripping dry soft and hardwoods
- On table saws or gang-rip saws with one or two shafts

## SPECIFICATIONS

|                     |         |
|---------------------|---------|
| <b>Diameter</b>     | 12 in   |
| <b>Bore</b>         | 1 in    |
| <b>Kerf</b>         | .160 in |
| <b>Machine</b>      | --      |
| <b>Manufacturer</b> | FS Tool |
| <b>Plate</b>        | 0.11 in |
| <b>Teeth</b>        | 30      |