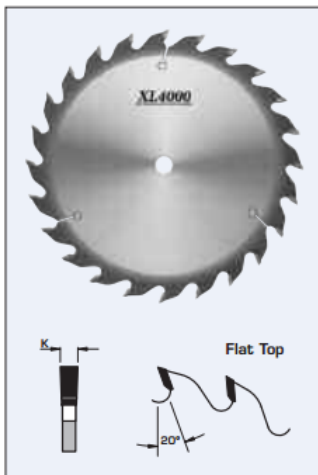


Edge of Arlington Saw & Tool, Inc.

124 South Collins
Arlington, TX 76010
Phone:817-461-7171 • Fax: 817-795-6651
Toll Free: 888-461-7171
Email: info@eoasaw.com
Website: www.eoasaw.com



Item #S21250, FS Tool XL4000 Extended Life Heavy Duty Rip Saw Blades **\$128.56**

Thank you for shopping with us!

Design:

- Tooth configuration: Flat Top
- Cutting Material: TC XL4000
- Expansion slots: Cu Plugged

Application:

- For ripping dry soft and hardwoods
- On table saws or gang-rip saws with one or two shafts

SPECIFICATIONS

Diameter	10 in
Bore	5/8 in
Kerf	.142 in
Machine	--
Manufacturer	FS Tool
Plate	0.095 in
Teeth	24