

Edge of Arlington Saw & Tool, Inc.

124 South Collins
 Arlington, TX 76010
 Phone: 817-461-7171 • Fax: 817-795-6651
 Toll Free: 888-461-7171
 Email: info@eoasaw.com
 Website: www.eoasaw.com



Item #RC-49497, Amana Tool In-Tech Insert Corner Round For Festool® 2mm Radius x 1-5/64 Inch Dia x 43/64 x 1/4 Shank (Copy)

\$86.55

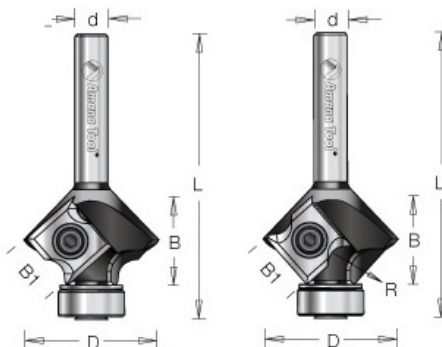
Thank you for shopping with us! These popular insert router bit profiles provide all woodworkers access to the industrial-grade technology, at an affordable price. By replacing worn knives instead of sharpening standard carbide-tipped bits, router bit dimensions, cutting quality, and accuracy remain constant during the life of the tool. **Ideal for routing:**

- MDF
- Chipboard
- Softwood
- Hardwood

Benefits of the in-Tech™ Series include:

- Cutting accuracy remains constant during the life of the knife
- Priced comparably to brazed router bits with at least 4 times longer tool life
- Superior cutting quality
- No sharpening costs
- Harder grade tungsten carbide

Replacement insert knives sold as a pair.



SPECIFICATIONS

Manufacturer	Amana Tool
Diameter	1 5/64 in
Bearing(s)	47706
Cut Height, Length, or Width	3/8 in
Flute	2
Knives	RCK-269
Overall Length	2 3/8 in
Radius	3mm

SPECIFICATIONS

Shank	1/4 in
Angle	45 deg
Style	(2 in 1) Corner Round or Bevel