

Edge of Arlington Saw & Tool, Inc.

124 South Collins
Arlington, TX 76010
Phone: 817-461-7171 • Fax: 817-795-6651
Toll Free: 888-461-7171
Email: info@eoasaw.com
Website: www.eoasaw.com



Item #RC-49496, Amana Tool In-Tech™ Solid Carbide Insert (2 in 1) Corner Round or Bevel 45° 1" Dia x 1/8" Radius x 1/4" Shank \$68.33

These popular insert router bit profiles provide all woodworkers access to the industrial-grade technology, at an affordable price. By replacing worn knives instead of sharpening standard carbide-tipped bits, router bit dimensions, cutting quality, and accuracy remain constant during the life of the tool.

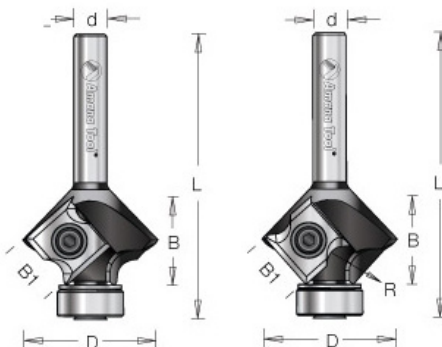
Ideal for routing:

- MDF
- Chipboard
- Softwood
- Hardwood

Benefits of the in-Tech™ Series include:

- Cutting accuracy remains constant during the life of the knife
- Priced comparably to brazed router bits with at least 4 times longer tool life
- Superior cutting quality
- No sharpening costs
- Harder grade tungsten carbide

Replacement insert knives sold as a pair.



SPECIFICATIONS	
Manufacturer	Amana Tool
Diameter	1 in
Bearing(s)	47706
Cut Height, Length, or Width	3/8 in
Flute	--
Knives	RCK-268 (2)

SPECIFICATIONS

Overall Length	2 3/16 in
Radius	1/8 in
Shank	1/4 in
Angle	45 deg
Style	(2 in 1) Corner Round or Bevel