

## Edge of Arlington Saw & Tool, Inc.

124 South Collins  
Arlington, TX 76010  
Phone: 817-461-7171 • Fax: 817-795-6651  
Toll Free: 888-461-7171  
Email: [info@eoasaw.com](mailto:info@eoasaw.com)  
Website: [www.eoasaw.com](http://www.eoasaw.com)

### Item #RC-49495, Amana Tool In-Tech Insert Corner Round For Festool® 2mm Radius x 1-5/64 Inch Dia x 43/64 x 1/4 Shank \$68.33



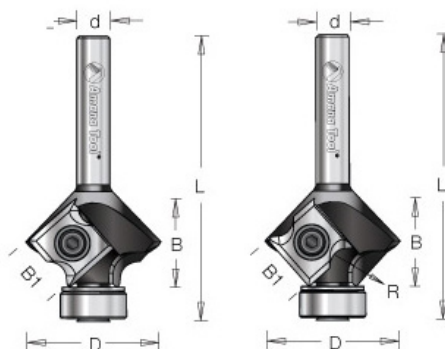
Thank you for shopping with us! These popular insert router bit profiles provide all woodworkers access to the industrial-grade technology, at an affordable price. By replacing worn knives instead of sharpening standard carbide-tipped bits, router bit dimensions, cutting quality, and accuracy remain constant during the life of the tool. **Ideal for routing:**

- MDF
- Chipboard
- Softwood
- Hardwood

#### Benefits of the in-Tech™ Series include:

- Cutting accuracy remains constant during the life of the knife
- Priced comparably to brazed router bits with at least 4 times longer tool life
- Superior cutting quality
- No sharpening costs
- Harder grade tungsten carbide

Replacement insert knives sold as a pair.



SPECIFICATIONS	
Manufacturer	Amana Tool
Diameter	1 5/64 in
Bearing(s)	47706
Cut Height, Length, or Width	43/64 in
Flute	2
Knives	RCK-267
Overall Length	2 13/32 in
Radius	2mm
Shank	1/4 in

## SPECIFICATIONS

**Angle**

45 deg

**Style**

(2 in 1) Corner Round or Bevel