

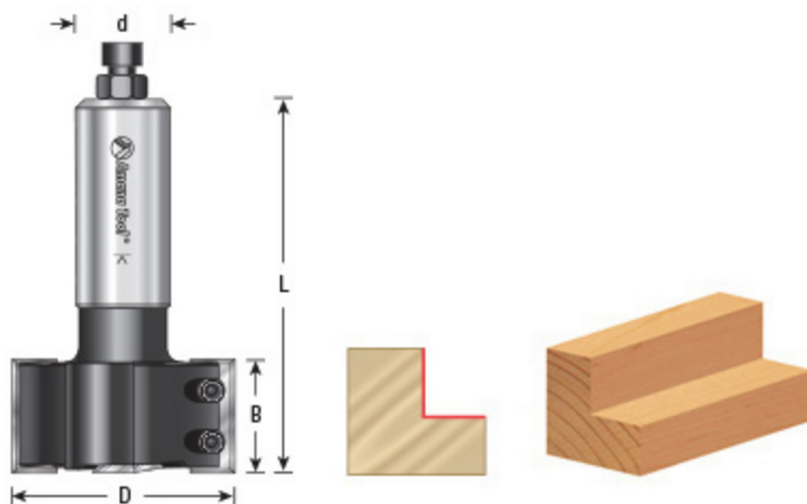
Edge of Arlington Saw & Tool, Inc.

124 South Collins
Arlington, TX 76010
Phone: 817-461-7171 • Fax: 817-795-6651
Toll Free: 888-461-7171
Email: info@eoasaw.com
Website: www.eoasaw.com



Item #RC-2383, Amana Tool CNC Insert Straight Rabbeting 2+2 Design x 2-3/8" Dia x 2" x 3/4" Shank (Industrial) \$223.92

Thank you for shopping with us! Insert rabbeting router bit complete with two cutting flutes and scorer. Suitable for trimming and rabbeting in softwood, hardwood, and man-made boards. Scorer will give an improved finish at the bottom of the cut. For use on routers and machining centers with CNC control.



SPECIFICATIONS

Manufacturer	Amana Tool
Diameter	2 3/8 in
Knives	RCK-50 & RCK-70
Overall Length	4 3/4 in
RPM	18,000
Shank	3/4 in