

Edge of Arlington Saw & Tool, Inc.

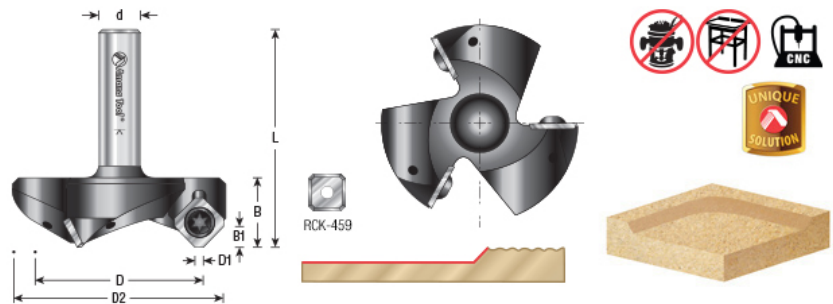
124 South Collins
 Arlington, TX 76010
 Phone: 817-461-7171 • Fax: 817-795-6651
 Toll Free: 888-461-7171
 Email: info@eoasaw.com
 Website: www.eoasaw.com



Item #RC-2255, Amana Tool CNC Insert Carbide 3 Wing/Flute Heavy Duty Spoilboard Plunging, Surfacing, Planing, Flycutter & Slab Leveler 2-1/2" Dia x 53/64" x 1/2" Shank Router Bit (Industrial)

\$163.49

Thank you for shopping with us! Featuring solid carbide insert knives with four cutting edges that allow users to rotate the knife when one side becomes dull to provide the highest quality finish available. Also perfect for surfacing and finishing using timber slab machines. -Capable of removing thin layers of material, less than 0.001" per pass -Tool can plunge down to 1/4", then start resurfacing -The unique chamfer corner insert design creates a flawless surface -The 3-wing & 5-wing design results in a more balanced tool while running Designed for the following materials: MDF, fiberboard, HDF/LDF, plywood/chipboard*, balsa core*, hardwood/softwood*, plastic* *For optimal results and maximum insert life, replace inserts with optional general purpose knives (sold separately). Utilizes 4-sided carbide inserts Exclusive carbide grade for highest quality of cut Maximum cutting efficiency Faster material removal process **Warning:** Proper torques rating to tighten down screws is 2-3Nm Torques.



SPECIFICATIONS

Manufacturer	Amana Tool
Diameter	2 in
Cut Height, Length, or Width	53/64 in
Diameter (D1)	2 in
Diameter (D2)	5/164 in
Knives	RCK-459. Optional GP: RCK-457. Optional Solid Wood: RCK-457-DLC.
Replacement Parts	Screws (5) #67110; key #5005
Note	Make sure your router sled rails are fully stable & squared.
Overall Length	2 19/32 in
Shank	1/2 in

SPECIFICATIONS

Wings

3