

## Edge of Arlington Saw & Tool, Inc.

124 South Collins  
Arlington, TX 76010  
Phone: 817-461-7171 • Fax: 817-795-6651  
Toll Free: 888-461-7171  
Email: [info@eoasaw.com](mailto:info@eoasaw.com)  
Website: [www.eoasaw.com](http://www.eoasaw.com)

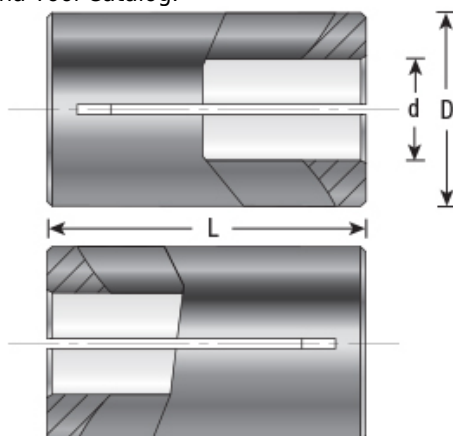
### Item #RB-118, Amana Tool 1/2 in Steel Router Collet Reducers \$8.36

Thank you for shopping with us!



Our industrial high precision machined collet reduction sleeves enable collet sizes to be reduced to accept CNC and router bits with smaller shank sizes. Reduction sleeves are produced with high quality steel and precisely machined to limit the chance of run-out.

**Warning:** Reducing the router collet with a sleeve is not a long term solution; for best results using the correct size collet is strongly recommended. Before use, read router bit safety guidelines on pages 244-246 of Amana Tool Catalog.



#### SPECIFICATIONS

<b>Manufacturer</b>	Amana Tool
<b>Overall Length</b>	1 in
<b>Shank</b>	8mm
<b>Diameter</b>	1/2 in