

**Edge of Arlington Saw & Tool, Inc.**

124 South Collins

Arlington, TX 76010

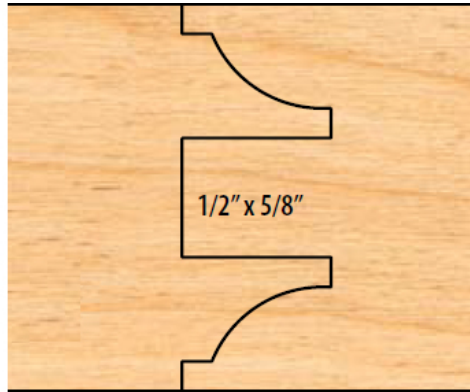
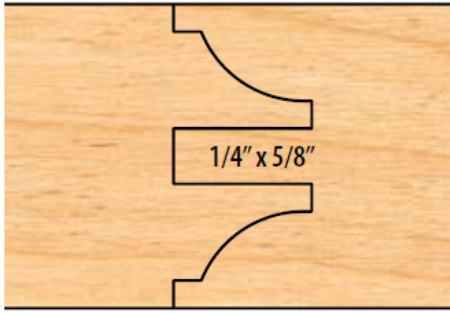
Phone: 817-461-7171 • Fax: 817-795-6651

Toll Free: 888-461-7171

Email: [info@eoasaw.com](mailto:info@eoasaw.com)

Website: [www.eoasaw.com](http://www.eoasaw.com)

---



**Item #PC  
11-070,  
Freeborn  
(8-Piece  
Cutter  
Sets)  
Double  
Sided  
Cope and  
Pattern -  
1-1/4"  
Bore (Pro-  
Line), 4"  
Dia, 3-  
Wing**

**\$1,190.00**

Thank you for shopping with us!

Standard sets cut 1/4" x 5/8" or 1/2" x 5/8" deep tongue and groove.

These 8-piece cutter sets are built to cut both 1-3/8" passage doors and 1-3/4" entry doors, simply by changing the center cutters.

A [2-piece glass panel groover set](#) is also available to run with these sets.

Eased edges are available.

A 3/8" x 5/8" tongue option is available as a no charge exchange. Please contact us for assistance.

**Pro-Line Shaper Cutters**

- 3 wing
- 4" diameter
- 1-1/4" bore
- Runs with a 2-3/4" diam. rub bearing (AP-90-044)

## SPECIFICATIONS

**Manufacturer** Freeborn Tool

**Bearing(s)** AP 90-044, Freeborn Ball Bearing Rub Collars - 1-1/4 in Bore (Pro-Line)

**Bore** 1-1/4 in

**Style** 1-1/4 in Bore (Pro-Line)

**Wings** 3