

Edge of Arlington Saw & Tool, Inc.

124 South Collins

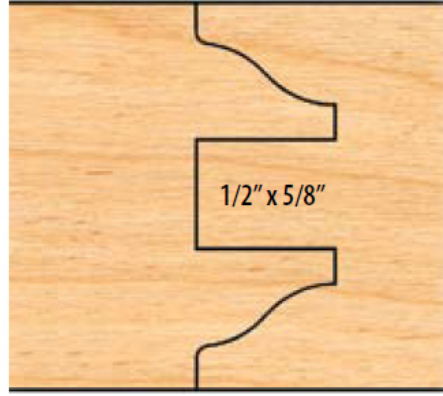
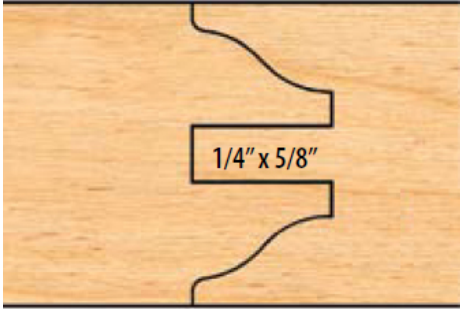
Arlington, TX 76010

Phone: 817-461-7171 • Fax: 817-795-6651

Toll Free: 888-461-7171

Email: info@eoasaw.com

Website: www.eoasaw.com



**Item #PC
11-020,
Freeborn
(8-Piece
Cutter
Sets)
Double
Sided
Cope and
Pattern -
1-1/4"
Bore (Pro-
Line), 4"
Dia, 3-
Wing
\$1,190.00**

Thank you for shopping with us!

Standard sets cut 1/4" x 5/8" or 1/2" x 5/8" deep tongue and groove.

These 8-piece cutter sets are built to cut both 1-3/8" passage doors and 1-3/4" entry doors, simply by changing the center cutters.

A [2-piece glass panel groover set](#) is also available to run with these sets.

Eased edges are available.

A 3/8" x 5/8" tongue option is available as a no charge exchange. Please contact us for assistance.

**Pro-Line
Shaper
Cutters**

- 3 wing
- 4" diameter
- 1-1/4" bore
- Runs with a 2-3/4" diam. rub bearing (AP-90-044)

SPECIFICATIONS

Manufacturer Freeborn Tool

Bearing(s) AP 90-044, Freeborn Ball Bearing Rub Collars - 1-1/4 in Bore (Pro-Line)

Bore 1-1/4 in

Style 1-1/4 in Bore (Pro-Line)

Wings 3