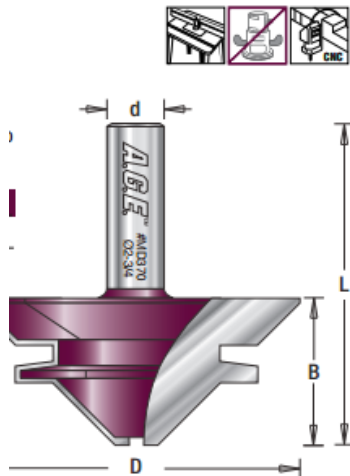


Edge of Arlington Saw & Tool, Inc.

124 South Collins
Arlington, TX 76010
Phone: 817-461-7171 • Fax: 817-795-6651
Toll Free: 888-461-7171
Email: info@eoasaw.com
Website: www.eoasaw.com



Item #MD370, Amana Pro-Series Lock Miter Router Bit \$103.65

Thank you for shopping with us!

First piece is cut flat (horizontal) and the second is cut perpendicular to the first for a perfect fit. No need to realign the router depth, provided that the wood is centered to the cutting edge of the bit. 2-Flute Pro-Series Carbide-Tipped

SPECIFICATIONS

Manufacturer	Amana Tool
Diameter	2 3/4 in
Cut Height, Length, or Width	1 1/4 in
Overall Length	2 3/4 in
Shank	1/2 in
Angle	45 deg