

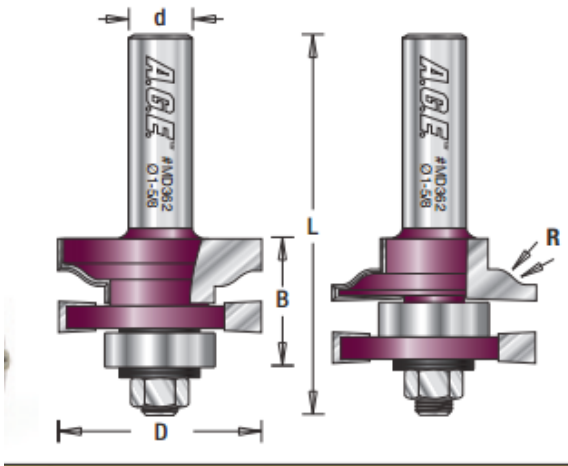
Edge of Arlington Saw & Tool, Inc.

124 South Collins
Arlington, TX 76010
Phone: 817-461-7171 • Fax: 817-795-6651
Toll Free: 888-461-7171
Email: info@eoasaw.com
Website: www.eoasaw.com

Item #MD362, Amana Pro-Series Ogee Stile & Rail Set Router Bit \$92.03

Thank you for shopping with us!

Our rail and stile sets give you two complete bits: one for the rail cuts, one for the stiles. Make cabinet doors and all varieties of frame-and-panel assemblies for furniture and architectural applications. 2-Flute Pro-Series Carbide-Tipped



SPECIFICATIONS

Manufacturer	Amana Tool
Cut Height, Length, or Width	1 in
Bearing(s)	47708, Amana Tool Steel Ball Bearing Guide 7/8 Overall Dia x 5/16 Inner Dia x 9/32 Height
Overall Length	2 29/32 in
Radius	13/64 in
Shank	1/2 in