

Edge of Arlington Saw & Tool, Inc.

124 South Collins

Arlington, TX 76010

Phone:817-461-7171 • Fax: 817-795-6651

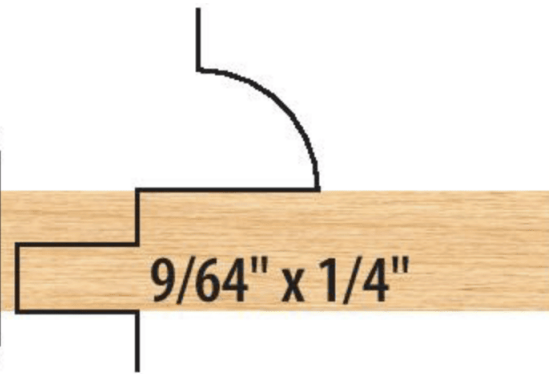
Toll Free: 888-461-7171

Email: info@eoasaw.com

Website: www.eoasaw.com

**Glass
Option**
(for rubber
extrusion)

M	C	50-700
P	C	10-700
P	T	10-700



**Item #MC
50-700,
Freeborn
Center
Groover
2-Piece
Set - 3/4"
Bore
(Mini-Pro)
\$229.50**

Thank you for shopping with us! At time of purchase, you may substitute the following tongue & groove cutters for the standard tongue & groove cutters in your cope & pattern set, at no additional charge. If you choose an optional center groover set, you will be unable to do the tongue & groove option. Available on all M-50 and P-10 series cope & patterns. Diameters will no longer be the same, requiring fence adjustments between cuts. Center groovers only - profile cutters not included.

**Please
contact us
for
assistance
in ordering
options.**

Glass Option
(for rubber
extrusion)

SPECIFICATIONS

Manufacturer Freeborn Tool

Bore 3/4 in

Note Center Groovers Only - Profile Cutters Not Included. Glass Option (For Rubber Extrusion)

Style 3/4 in Bore (Mini-Pro)