

Edge of Arlington Saw & Tool, Inc.

124 South Collins
Arlington, TX 76010
Phone: 817-461-7171 • Fax: 817-795-6651
Toll Free: 888-461-7171
Email: info@eoasaw.com
Website: www.eoasaw.com



Item #LI27MDC3, Freud® Postforming Scoring Saw Blades: LI27M Series \$183.02

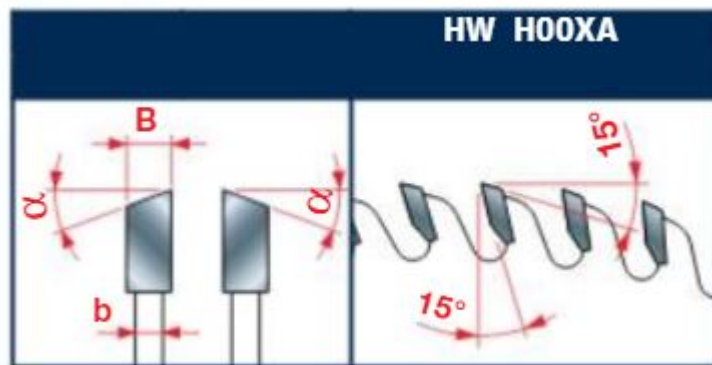
Thank you for shopping with us!

Freud is one of the few manufacturers of woodworking tools in the world that produces its own Micrograin Carbide for each tool application.

ATB with positive cutting angle. Silver I.C.E. Coating prevents build-up on the blade surface and keeps the blade running cooler and cleaner.

Machines: Horizontal panel sizing machines
Features: ATB tooth with positive cutting angle
Material: Bilaminated chipboard or MDF

Postforming Ideal For: To score the coating on bilaminated panels.



Tooth features - Caratteristiche del dente

To peruse more comprehensive information on Freud® Tools Industrial Circular Saws, click on the link to [Industrial Saw Blades Catalog](#).

SPECIFICATIONS

Diameter	300 mm
Arbor	80 mm
Hook Angle	10 deg
Kerf	4.7 mm

SPECIFICATIONS

Teeth	72
Pinholes	2/14/110
Plate	3.2 mm
Manufacturer	Freud Tools