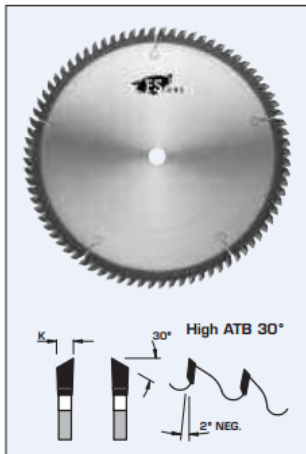


## Edge of Arlington Saw & Tool, Inc.

124 South Collins  
Arlington, TX 76010  
Phone: 817-461-7171 • Fax: 817-795-6651  
Toll Free: 888-461-7171  
Email: [info@eoasaw.com](mailto:info@eoasaw.com)  
Website: [www.eoasaw.com](http://www.eoasaw.com)



### Item #LH3096, FS Tool Professional Line Chip-Free Melamine Trim Blades

**\$166.08**

Thank you for shopping with us! **Design:**

- Tooth configuration: High ATB (30°)
- Cutting Material: TC
- Expansion slots: laser, self plug

#### **Application:**

- For chip-free sizing cuts (on both sides) in melamine and wood veneered panels, without the need for pre-scoring
- On table saws, sliding table saws, vertical panel sizing saws, and cut-off saws

## SPECIFICATIONS

<b>Manufacturer</b>	FS Tool
<b>Bore</b>	30 mm
<b>Diameter</b>	300 mm
<b>Kerf</b>	3.2 mm
<b>Plate</b>	2.2 mm
<b>Teeth</b>	96