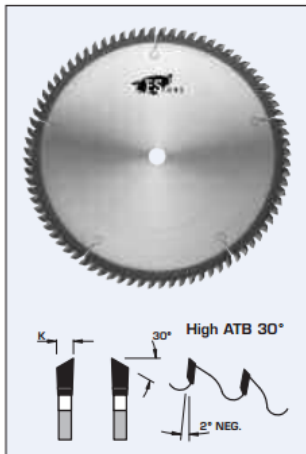


Edge of Arlington Saw & Tool, Inc.

124 South Collins
Arlington, TX 76010
Phone: 817-461-7171 • Fax: 817-795-6651
Toll Free: 888-461-7171
Email: info@eoasaw.com
Website: www.eoasaw.com



Item #LH1210, FS Tool Professional Line Chip-Free Melamine Trim Blades

\$182.04

Thank you for shopping with us! **Design:**

- Tooth configuration: High ATB (30°)
- Cutting Material: TC
- Expansion slots: laser, self plug

Application:

- For chip-free sizing cuts (on both sides) in melamine and wood veneered panels, without the need for pre-scoring
- On table saws, sliding table saws, vertical panel sizing saws, and cut-off saws

SPECIFICATIONS

Manufacturer	FS Tool
Bore	1 in
Diameter	12 in
Kerf	.125 in
Plate	.080 in
Teeth	100