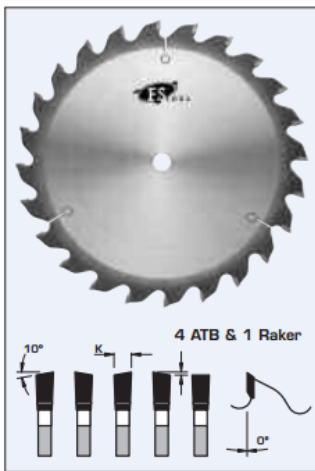


Edge of Arlington Saw & Tool, Inc.

124 South Collins
Arlington, TX 76010
Phone:817-461-7171 • Fax: 817-795-6651
Toll Free: 888-461-7171
Email: info@eoasaw.com
Website: www.eoasaw.com



Item #L07250, FS Tool Industrial Quality Radial Arm Saw Blades

\$118.28

Thank you for shopping with us!

Design:

- Tooth configuration: 4 ATB & 1 Raker
- Cutting Material: TC
- Expansion Slots: Cu plugged
- 0° hook angle reduces the tendency of the blade to grab the material

Application:

- For crosscutting and ripping dry soft and hardwoods
- On radial arm saws and other saws where the blade is above the work-piece

SPECIFICATIONS

Diameter	10 in
Bore	5/8 in
Kerf	.135 in
Manufacturer	FS Tool
Plate	.095 in
Teeth	24