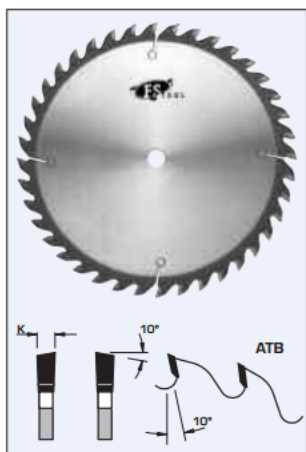


Edge of Arlington Saw & Tool, Inc.

124 South Collins
Arlington, TX 76010
Phone:817-461-7171 • Fax: 817-795-6651
Toll Free: 888-461-7171
Email: info@eoasaw.com
Website: www.eoasaw.com



Item #L03500, FS Tool Industrial Quality Crosscut Saw Blades ATB \$360.80

Thank you for shopping with us!

Design:

- Tooth configuration: ATB
- Cutting Material: TC
- Expansion slots: Cu Plugged

Application:

- For cross cutting and ripping dry soft and hardwoods, plywood, masonite, and raw MDF panels
- On table saws, sliding table saws, and cut-off saws

SPECIFICATIONS

Diameter	20 in
Bore	1 in
Kerf	.185 in
Manufacturer	FS Tool
Plate	0.138 in
Teeth	80