

# Edge of Arlington Saw & Tool, Inc.

124 South Collins  
 Arlington, TX 76010  
 Phone: 817-461-7171 • Fax: 817-795-6651  
 Toll Free: 888-461-7171  
 Email: [info@eoasaw.com](mailto:info@eoasaw.com)  
 Website: [www.eoasaw.com](http://www.eoasaw.com)

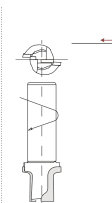
## Item #DRS01-D05, FS Cruing Diamond Shaker MDF Door Tool Router Bit Set - Shaker-Cutout+Radius

**\$464.00**

Thank you for shopping with us! Perfect-finish, one-piece MDF Shaker door, as featured at IWF Atlanta 2018. Increase your production throughput and eliminate sanding. FREE Biesse bSolid program with the purchase of a complete set of DRS01Shaker door tools. **Design** -Resharpenable PCD cutting edges -Profiles are designed to blend seamlessly - Nickel plated to resist erosion of the cutter body -5-piece PCD Diamond tool set -Tools sold individually **Application** For producing perfect paint ready, one-piece MDF Shaker doors -Shaker - Hogout: Removes material from the pocket and leaves a smooth, clean surface -Shaker - Inside Radius: Removes material from the perimeter of the pocket - Shaker - Corner: Refines the inner corners of the pocket -Shaker - Highlight: Cuts the fine line that gives the appearance of a traditional 5-piece cabinet door -Shaker - Cutout + Radius: Cuts the overall outside shape of the door, leaving a clean outside edge with a small top radius **DRS01-D01** removes material from the pocket and leaves a smooth clean surface. **DRS01-D02** removes material from the perimeter of the pocket. **DRS01-D03** refines the inner corners of the pocket. **DRS01-D04** cuts the fine line that gives the appearance of a traditional 5-piece cabinet door. **DRS01-D05** cuts the overall outside shape of the door, leaving a clean outside edge with a small top radius.

**5. Shaker - Cutout+Radius**

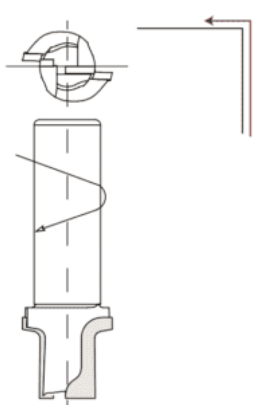
PART NO: DRS01-D05  
 Cuts the overall outside shape of the door, leaving a clean outside edge with a small top radius



L. DIAM 26.0 mm  
 S. DIAM 16.0 mm  
 CEL 19.05 mm  
 SHANK 19.05 mm (3/4")  
 CE/Z 2

**5. Shaker - Cutout+Radius**

PART NO: DRS01-D05  
 Cuts the overall outside shape of the door, leaving a clean outside edge with a small top radius



L. DIAM 26.0 mm  
 S. DIAM 16.0 mm  
 CEL 19.05 mm  
 SHANK 19.05 mm (3/4")  
 CE/Z 2



SPECIFICATIONS	
<b>Diameter</b>	26 mm

## SPECIFICATIONS

<b>Cut Height, Length, or Width</b>	19.05 mm
<b>Shank</b>	19.05 (3/4)
<b>Type</b>	Shaker-Cutout+Radius
<b>Manufacturer</b>	FS Cruing