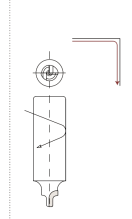


Edge of Arlington Saw & Tool, Inc.

124 South Collins
 Arlington, TX 76010
 Phone: 817-461-7171 • Fax: 817-795-6651
 Toll Free: 888-461-7171
 Email: info@eoasaw.com
 Website: www.eoasaw.com

3. Shaker - Corner
 PART NO: DRS01-D03
 Refines the inner corners
 of the pocket

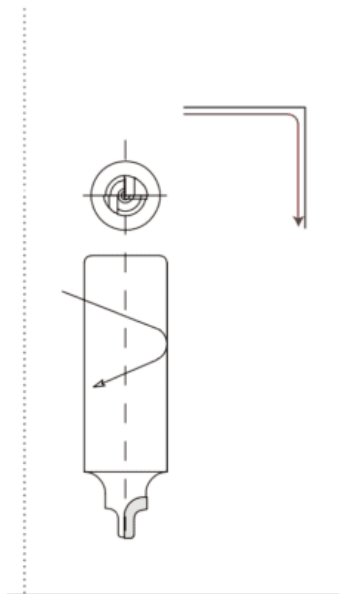
Item #DRS01-D03, FS Cruing Diamond Shaker MDF Door Tool Router Bit Set - Shaker-Corner **\$292.00**



CEL 10.0 mm
 CEL 8.5 mm
 SHANK 19.05 mm (3/4")
 CE/Z 1

Thank you for shopping with us! Perfect-finish, one-piece MDF Shaker door, as featured at IWF Atlanta 2018. Increase your production throughput and eliminate sanding. FREE Biesse bSolid program with the purchase of a complete set of DRS01Shaker door tools. **Design** -Resharpenable PCD cutting edges -Profiles are designed to blend seamlessly -Nickel plated to resist erosion of the cutter body -5-piece PCD Diamond tool set -Tools sold individually **Application** For producing perfect paint ready, one-piece MDF Shaker doors -Shaker - Hogout: Removes material from the pocket and leaves a smooth, clean surface -Shaker - Inside Radius: Removes material from the perimeter of the pocket -Shaker - Corner: Refines the inner corners of the pocket -Shaker - Highlight: Cuts the fine line that gives the appearance of a traditional 5-piece cabinet door -Shaker - Cutout + Radius: Cuts the overall outside shape of the door, leaving a clean outside edge with a small top radius **DRS01-D01** removes material from the pocket and leaves a smooth clean surface. **DRS01-D02** removes material from the perimeter of the pocket. **DRS01-D03** refines the inner corners of the pocket. **DRS01-D04** cuts the fine line that gives the appearance of a traditional 5-piece cabinet door. **DRS01-D05** cuts the overall outside shape of the door, leaving a clean outside edge with a small top radius.

3. Shaker - Corner
 PART NO: DRS01-D03
 Refines the inner corners
 of the pocket



CEL 10.0 mm
 CEL 8.5 mm
 SHANK 19.05 mm (3/4")
 CE/Z 1



SPECIFICATIONS

Diameter	10 mm
Cut Height, Length, or Width	8.5 mm
Shank	19.05 (3/4)
Type	Shaker-Corner
Manufacturer	FS Cruing