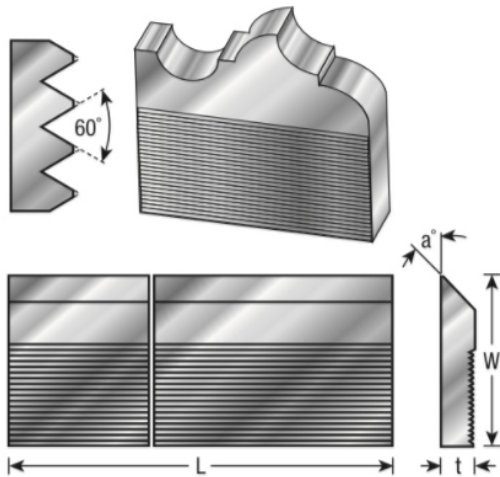


Edge of Arlington Saw & Tool, Inc.

124 South Collins
Arlington, TX 76010
Phone: 817-461-7171 • Fax: 817-795-6651
Toll Free: 888-461-7171
Email: info@eoasaw.com
Website: www.eoasaw.com



Item #CSK-360, Amana Tool Corrugated Back Moulder Steel M-2 High Speed Steel (HSS)

Thank you for shopping with us!

SPECIFICATIONS

Angle	45 deg
Width	2 3/4 in
Thickness	5/16 in
Overall Length	25 in
Manufacturer	Amana Tool