

## Edge of Arlington Saw & Tool, Inc.

124 South Collins  
 Arlington, TX 76010  
 Phone: 817-461-7171 • Fax: 817-795-6651  
 Toll Free: 888-461-7171  
 Email: [info@eoasaw.com](mailto:info@eoasaw.com)  
 Website: [www.eoasaw.com](http://www.eoasaw.com)



### Item #RC-49497, Amana Tool In-Tech Insert Corner Round For Festool® 2mm Radius x 1-5/64 Inch Dia x 43/64 x 1/4 Shank (Copy)

**\$83.40**

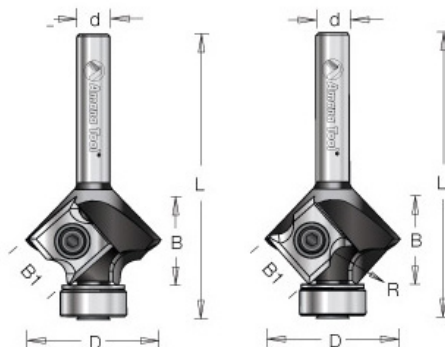
Thank you for shopping with us! These popular insert router bit profiles provide all woodworkers access to the industrial-grade technology, at an affordable price. By replacing worn knives instead of sharpening standard carbide-tipped bits, router bit dimensions, cutting quality, and accuracy remain constant during the life of the tool. **Ideal for routing:**

- MDF
- Chipboard
- Softwood
- Hardwood

#### Benefits of the in-Tech™ Series include:

- Cutting accuracy remains constant during the life of the knife
- Priced comparably to brazed router bits with at least 4 times longer tool life
- Superior cutting quality
- No sharpening costs
- Harder grade tungsten carbide

**Replacement insert knives sold as a pair.**



SPECIFICATIONS	
<b>Manufacturer</b>	Amana Tool
<b>Diameter</b>	1 5/64 in
<b>Bearing(s)</b>	47706
<b>Cut Height, Length, or Width</b>	3/8 in
<b>Flute</b>	2
<b>Knives</b>	RCK-269
<b>Overall Length</b>	2 3/8 in
<b>Radius</b>	3mm

## SPECIFICATIONS

<b>Shank</b>	1/4 in
<b>Angle</b>	45 deg
<b>Style</b>	(2 in 1) Corner Round or Bevel