

Edge of Arlington Saw & Tool, Inc.

124 South Collins
Arlington, TX 76010
Phone: 817-461-7171 • Fax: 817-795-6651
Toll Free: 888-461-7171
Email: info@eoasaw.com
Website: www.eoasaw.com



99-523

Item #99-523, Freud Quadra-Cut™ Raised Panel Bits \$93.87

Thank you for shopping with us!

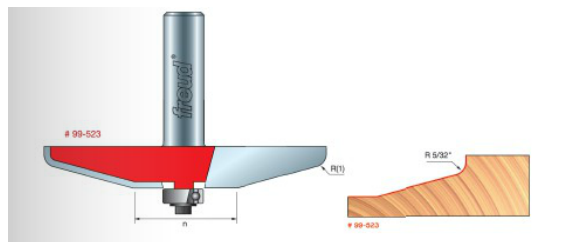
Application: Ideal for creating raised panels for doors and paneling, as well as decorative tops, plaques, and molding (see video below for more information on Quadra-Cut™ Design)

-Revolutionary design combines two small wings that cut downward to shear the top edge for a splinter-free surface, and two large wings that shear upward for a smooth finish.

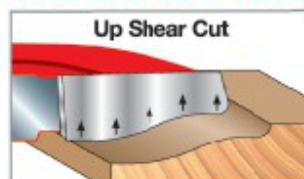
-Use 1/2" height for 5/8" stock. Use 5/8" height for 3/4" stock.

-Cuts all composition materials, plywoods, hardwoods, and softwoods.

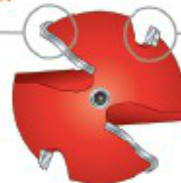
-Use on table-mounted portable routers



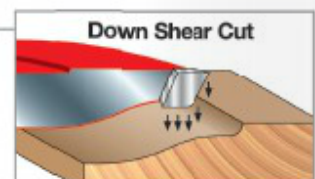
Freud's Quadra-Cut™ 4 Cutter Design



(Drawing not to scale)

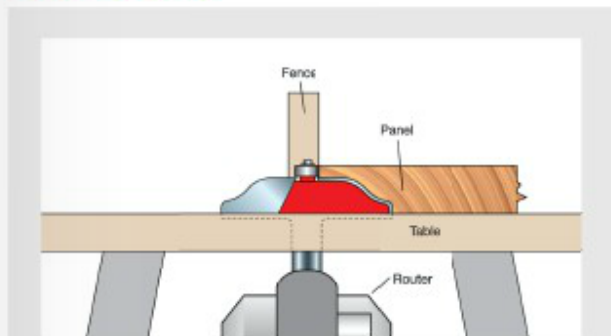


Bottom view of Quadra-Cut™ bit



(Drawing not to scale)

Raised Panel Setup



SPECIFICATIONS

Manufacturer	Freud Tools
Cut Height, Length, or Width	1/2 in
Diameter	3 1/2 in
Minor Height	N/A
Overall Length	2 1/2 in
R1/Radius	5/32 in
R2/Radius	N/A
Shank	1/2 in
Small Diameter	1 1/4 in