

# Edge of Arlington Saw & Tool, Inc.

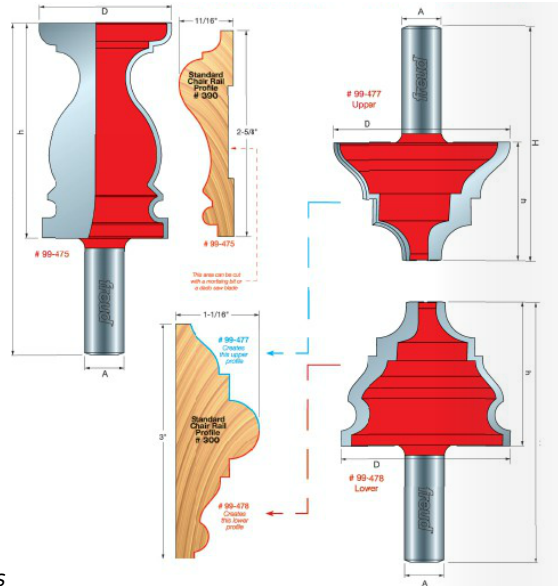
124 South Collins  
 Arlington, TX 76010  
 Phone: 817-461-7171 • Fax: 817-795-6651  
 Toll Free: 888-461-7171  
 Email: [info@eoasaw.com](mailto:info@eoasaw.com)  
 Website: [www.eoasaw.com](http://www.eoasaw.com)



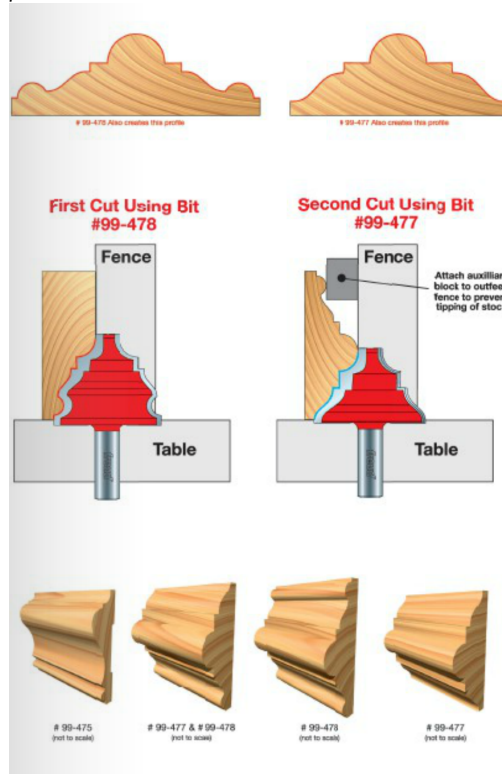
99-478

## Item #99-478, Freud Chair Rail Bits \$74.37

Thank you for shopping with us! Application: Creates standard decorative chair rail profiles as well as beautiful panel moldings -Chair rail adds a beautiful horizontal detail to any room in the home or office. - Choose your favorite wood, and perfectly match two very popular chair rail designs. -Use with hardwood or softwood to mill stain grade molding. -Bits for chair rail #300 can also be used by themselves for other profiles. -Use with table-mounted, CNC, or automatic routers. *Note: for best results make two or more*



passes



## SPECIFICATIONS

<b>Manufacturer</b>	Freud Tools
<b>Diameter</b>	2 3/16 in
<b>Cut Height, Length, or Width</b>	1 13/16 in
<b>Overall Length</b>	3 5/16 in
<b>Profile</b>	Profile Design: Chair Rail #300, lower
<b>Shank</b>	1/2 in