

# Edge of Arlington Saw & Tool, Inc.

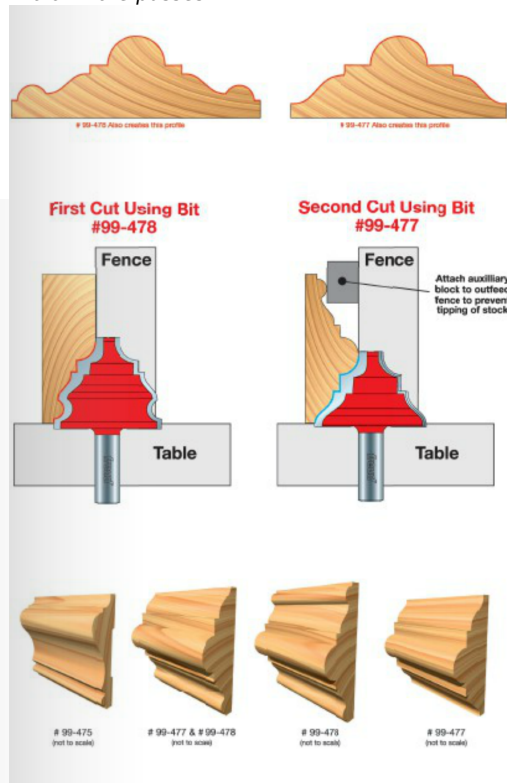
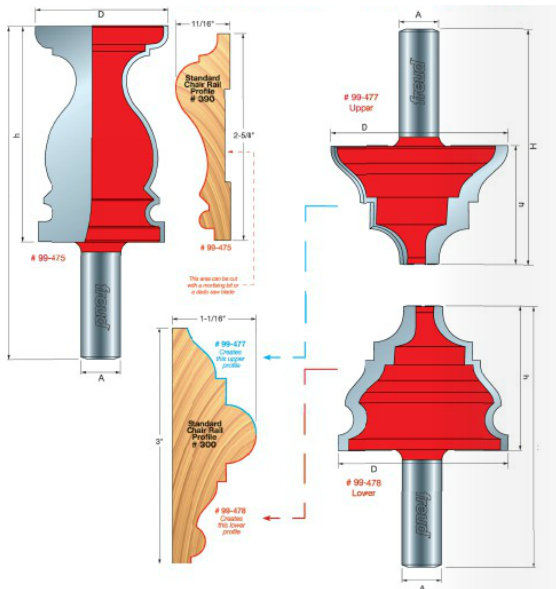
124 South Collins  
 Arlington, TX 76010  
 Phone: 817-461-7171 • Fax: 817-795-6651  
 Toll Free: 888-461-7171  
 Email: [info@eoasaw.com](mailto:info@eoasaw.com)  
 Website: [www.eoasaw.com](http://www.eoasaw.com)



## Item #99-475, Freud Chair Rail Bits \$104.73

Thank you for shopping with us! Application: Creates standard decorative chair rail profiles as well as beautiful panel moldings. -Chair rail adds a beautiful horizontal detail to any room in the home or office. -Choose your favorite wood, and perfectly match two very popular chair rail designs. -Use with hardwood or softwood to mill stain grade molding. -Bits for chair rail #300 can also be used by themselves for other profiles. -Use with table-mounted, CNC, or automatic routers. *Note: for best results make two or more passes*

99-475



SPECIFICATIONS	
<b>Manufacturer</b>	Freud Tools
<b>Diameter</b>	1 11/16 in
<b>Cut Height, Length, or Width</b>	2 3/4 in
<b>Overall Length</b>	4 1/4 in
<b>Profile</b>	Profile Design: Chair Rail #390
<b>Shank</b>	1/2 in