

Edge of Arlington Saw & Tool, Inc.

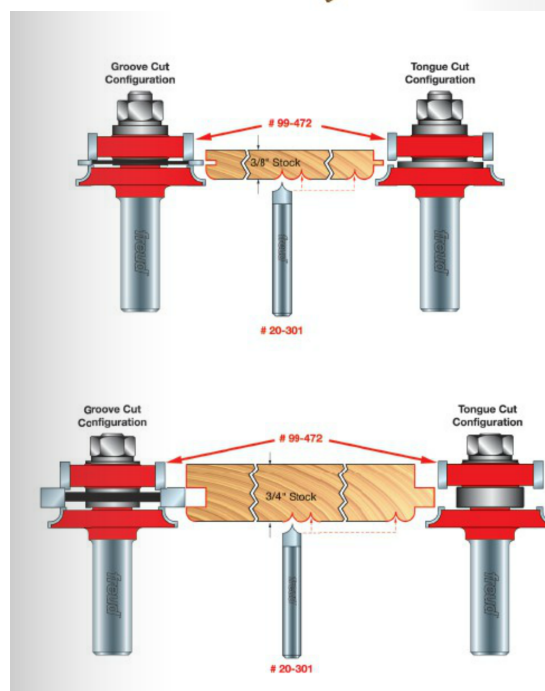
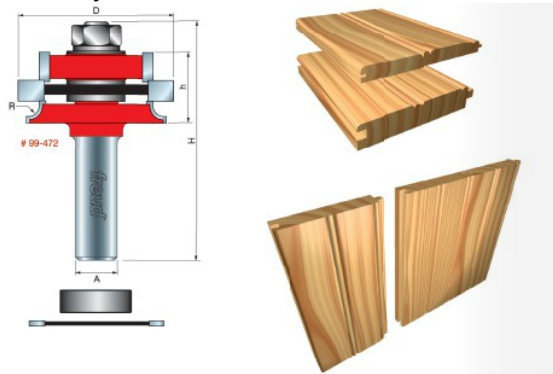
124 South Collins
Arlington, TX 76010
Phone: 817-461-7171 • Fax: 817-795-6651
Toll Free: 888-461-7171
Email: info@eoasaw.com
Website: www.eoasaw.com



99-472

Item #99-472, Freud Beadboard Bit System - Beadboard Tongue & Groove Bit \$108.24

Thank you for shopping with us! Application: Create beautiful wainscoting, paneling, back panels for bookcases, and much more. Freud's new Beadboard Tongue and Groove System mills perfect beadboard in a variety of thicknesses from 3/8" to 3/4", and in almost any width. Mill beadboard from any hardwood or softwood, and use it to create a beautiful effect as wainscoting, wall or ceiling paneling, cabinet and bookcase backs, and more. The tongue and groove bits include two slot cutters: use the 1/4" cutter to mill a 1/4" thick tongue and groove for 1/2" to 3/4" stock, or switch to the 1/16" cutter for thinner material. Once the tongue and groove joints are complete, use the solid carbide Radius V-Groove Bit to complete the beadboard design. -Mills traditional beadboard in a variety of thicknesses and widths -Includes two slot cutters to rout either 1/4" or 1/16" tongue & groove joints -Use with any hardwood or softwood to match your décor - Use only with a table-mounted router and fence



SPECIFICATIONS

Manufacturer	Freud Tools
Diameter	1 7/8 in
Cut Height, Length, or Width	13/16 in
Overall Length	2 7/8 in
Radius	1/8 in
Shank	1/2 in
Type	Beadboard Tongue & Groove Bit