

Edge of Arlington Saw & Tool, Inc.

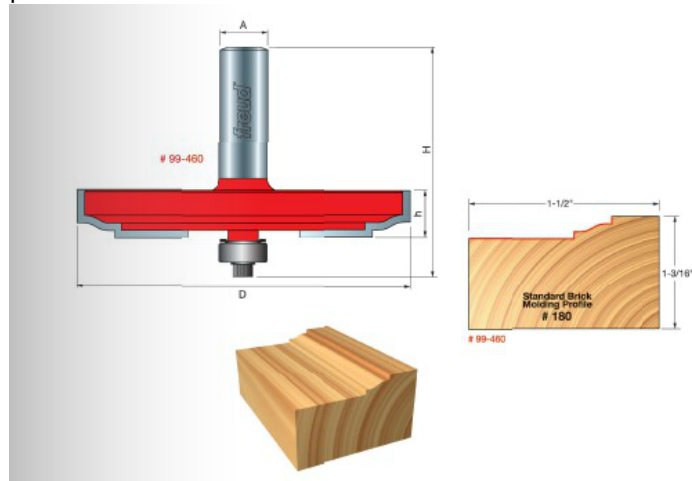
124 South Collins
Arlington, TX 76010
Phone: 817-461-7171 • Fax: 817-795-6651
Toll Free: 888-461-7171
Email: info@eoasaw.com
Website: www.eoasaw.com



99-460

Item #99-460, Freud Brick Molding Bit \$110.12

Thank you for shopping with us! Application: Creates industry standard brick molding profile #180 -Mill straight or arched molding to fit windows, doors, or arched openings. -Features Freud's patented Quadra-Cut™ technology for extra-clean cuts in crossgrain applications. -Use with hardwood or softwood to mill stain grade molding. -Use with table-mounted portable routers. *Note: for best results make two or more passes*



SPECIFICATIONS

Manufacturer	Freud Tools
Diameter	3 1/2 in
Cut Height, Length, or Width	1/2 in
Overall Length	3 in
Profile	Profile Design: Brick Molding #180
Shank	1/2 in
Type	Quadra-Cut