

## Edge of Arlington Saw & Tool, Inc.

124 South Collins  
Arlington, TX 76010  
Phone: 817-461-7171 • Fax: 817-795-6651  
Toll Free: 888-461-7171  
Email: [info@eoasaw.com](mailto:info@eoasaw.com)  
Website: [www.eoasaw.com](http://www.eoasaw.com)

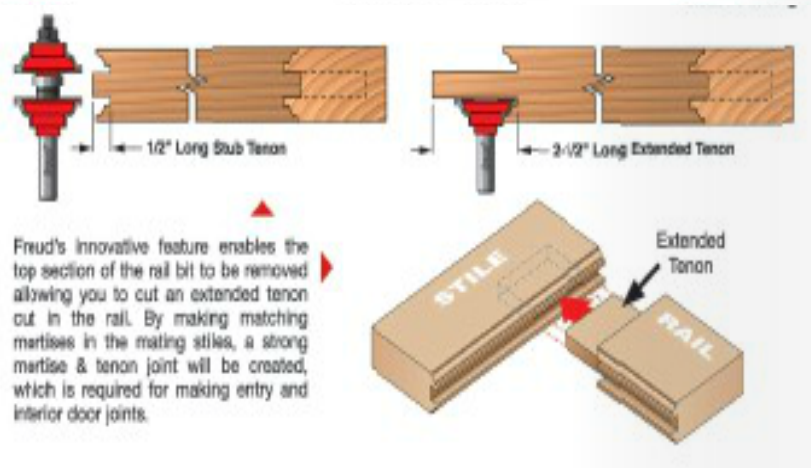
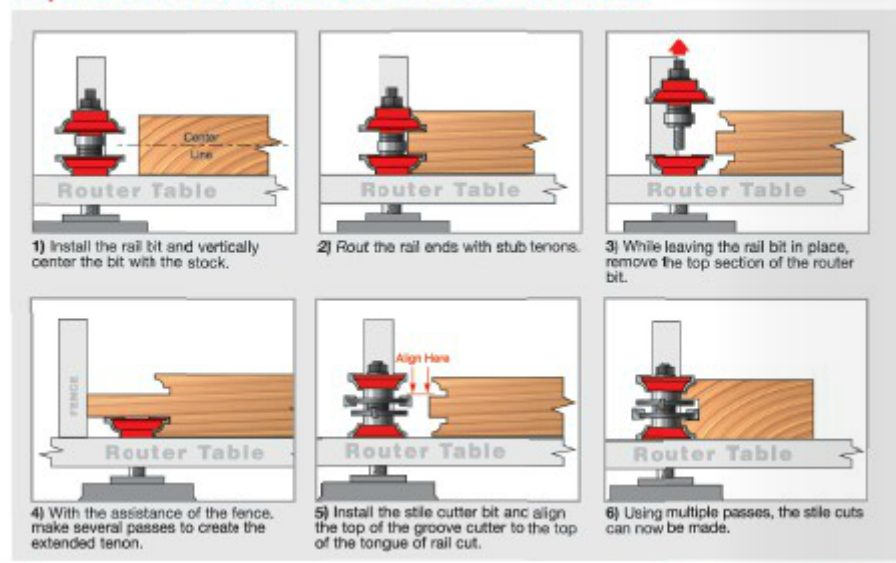


99-268

### Item #99-268, Freud Entry & Interior Door Router Bit System 2-Piece for 1 3/8" & 1 3/4" Stock - Ogee \$264.88

Thank you for shopping with us! Application: Build entry and interior doors with true mortise and tenon construction for rock-solid joints that last a lifetime -This entry and interior door system lets the woodworker build doors with true mortise and tenon construction for rock-solid joints that last a lifetime. -This matched rail and stile bit set comes fully assembled to mill perfect 1 3/4 rail and stile joints for exterior doors. To mill 1 3/8" interior door joints, simply remove the spacers from each bit. -Milling a tenon of virtually any length is easy: the top cutter and bearing of the rail bit is simply unscrewed from the lower cutter and shank without removing the bit from the router or changing the height of the cutter! -Cuts all composition materials, plywoods, hardwoods, and softwoods. -Use on table-mounted portable routers.

#### Steps To Create Rail & Stile Joints With Extended Tenons:



## SPECIFICATIONS

<b>Manufacturer</b>	Freud Tools
<b>Diameter</b>	1 7/8 in
<b>Cut Height, Length, or Width</b>	1 7/8 in
<b>Overall Length</b>	4 1/8 in
<b>Profile</b>	Ogee
<b>Shank</b>	1/2 in
<b>Style</b>	2-pc entry & interior door bit set for 1 3/8 in & 1 3/4 in stock