

Edge of Arlington Saw & Tool, Inc.

124 South Collins
Arlington, TX 76010
Phone: 817-461-7171 • Fax: 817-795-6651
Toll Free: 888-461-7171
Email: info@eoasaw.com
Website: www.eoasaw.com

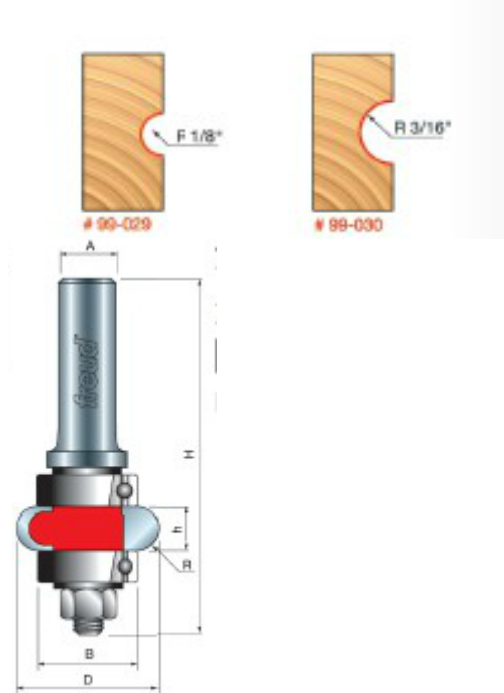


Item #99-029, Freud Flute Bits \$45.81

Thank you for shopping with us!

Application: Chippendale style furniture

- These bits include double bearings to create a fluted design for chair legs and moldings. Ideal for the production of Chippendale style furniture.
- Cuts all composition materials, plywoods, hardwoods, softwoods.
- Use on hand-held and table-mounted routers.



SPECIFICATIONS

Manufacturer	Freud Tools
Diameter	1 1/8 in
Cut Height, Length, or Width	1/4 in
Overall Length	3 in
Radius	1/8 in
Shank	1/2 in
Bearing Size	1/4 in