

Edge of Arlington Saw & Tool, Inc.

124 South Collins
Arlington, TX 76010
Phone: 817-461-7171 • Fax: 817-795-6651
Toll Free: 888-461-7171
Email: info@eoasaw.com
Website: www.eoasaw.com

Item #99-028, Freud Variable Corner Round Bit \$88.16

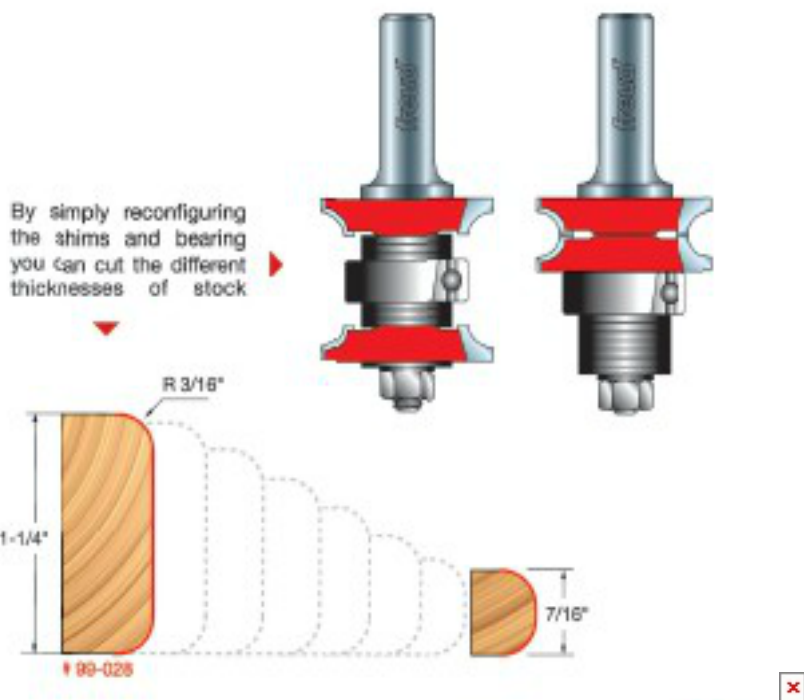
Thank you for shopping with us!

Application: Rounding two edges in one pass

-The Freud variable corner round bit saves you time by rounding both edges on a board in one pass, rather than using standard rounding over bits that require two passes. Works with stock from 7/16" to 1 1/4" thick.

-Cuts all composition materials, plywoods, hardwoods, and softwoods.

-Use on hand-held and table-mounted portable routers.



SPECIFICATIONS

Manufacturer	Freud Tools
Diameter	1 19/32 in
Cut Height, Length, or Width	1 7/64 in
Minor Height	7/16 - 1 1/4 in
Overall Length	3 1/2 in
Radius	3/16 in

SPECIFICATIONS

Shank	1/2 in
Bearing Size	5/16 in