

## Edge of Arlington Saw & Tool, Inc.

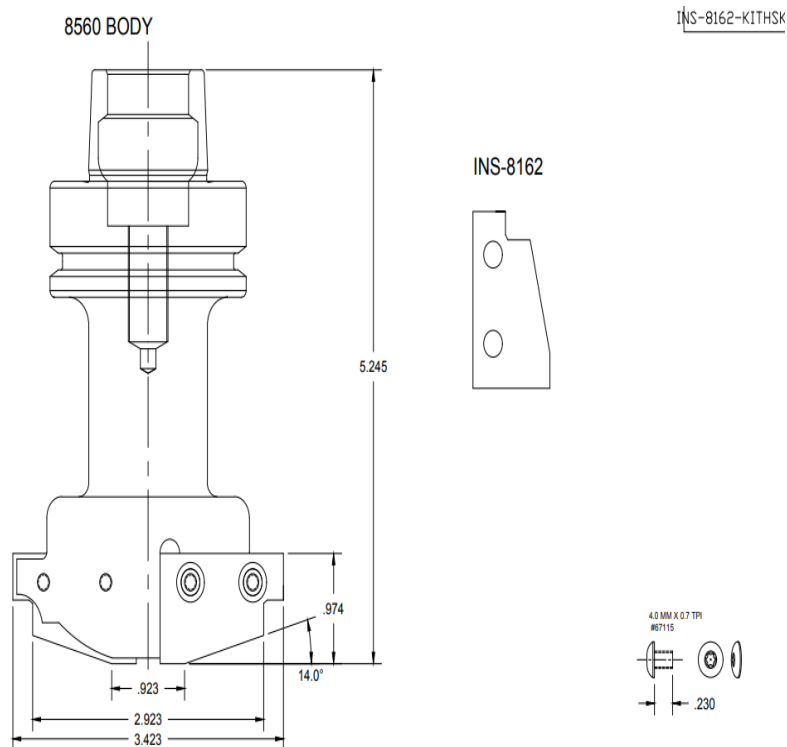
124 South Collins  
 Arlington, TX 76010  
 Phone: 817-461-7171 • Fax: 817-795-6651  
 Toll Free: 888-461-7171  
 Email: [info@eoasaw.com](mailto:info@eoasaw.com)  
 Website: [www.eoasaw.com](http://www.eoasaw.com)



### Item #Kit 8560-INS-8162, Vortex Series 8500 One-Sided Insert Raised Panel Door Cutter: 8560 BODY W/ INS-8162 BEVEL INSERT **\$1,413.35**

Thank you for shopping with us!

This raised panel design will create a raised profile on one side of your entry door and is manufactured to accept two different insert profiles. An integrated tool design, which means less weight, better balance, less run out, and never having to change collets again, is available with an HSK63F taper.



## SPECIFICATIONS

<b>Part Descp.</b>	8560 Body w/ INS-8162 Bevel Insert - HSK63F Taper
<b>Shank</b>	--
<b>Note</b>	--
<b>Manufacturer</b>	Vortex Tool