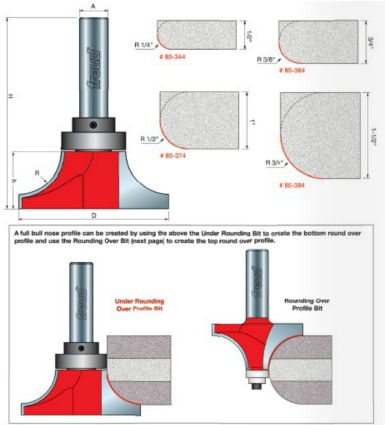


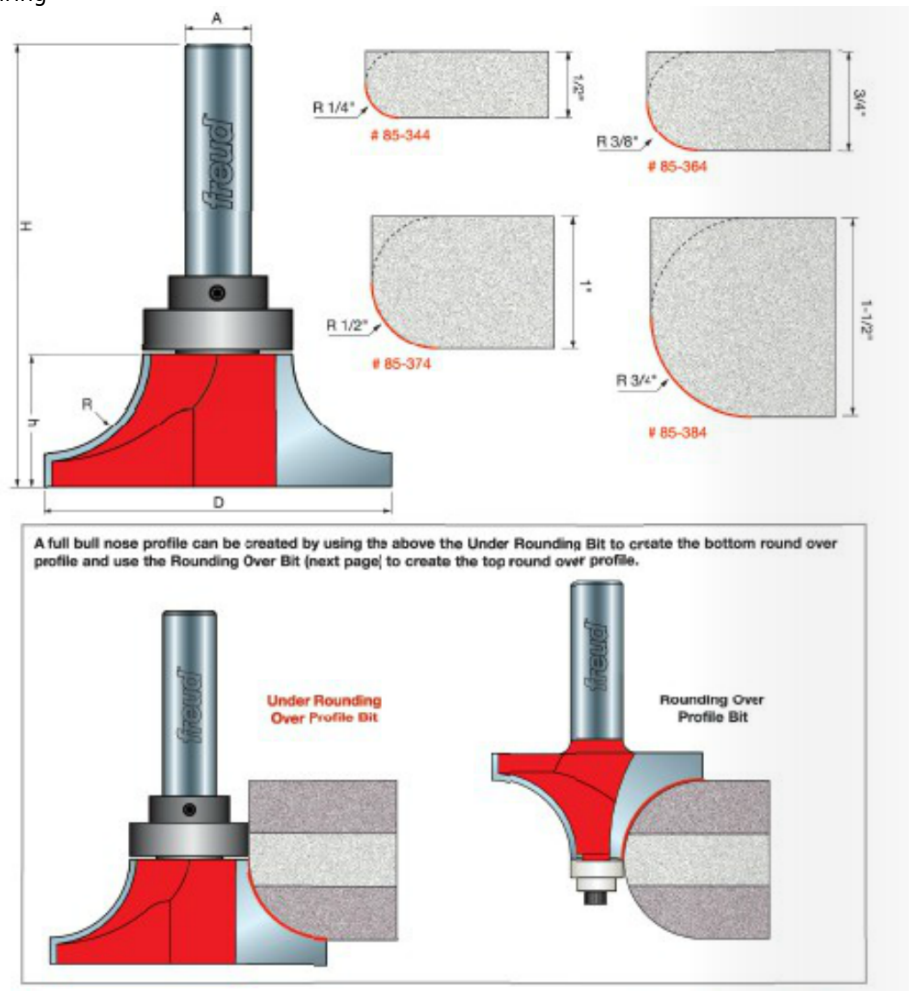
Edge of Arlington Saw & Tool, Inc.

124 South Collins
 Arlington, TX 76010
 Phone: 817-461-7171 • Fax: 817-795-6651
 Toll Free: 888-461-7171
 Email: info@eoasaw.com
 Website: www.eoasaw.com



Item #85-364, Freud Under Rounding Bit for Bull Nose \$89.42

Thank you for shopping with us! Application: Routs the lower portion of a bull nose edge -Combines these bits with the [Rounding Over Bits](#) to create perfect bull nose edges. -Specially formulated carbide is ideal for fabricating solid surface materials. -Cuts all solid surface materials. -Use in hand-held portable routers. -Includes steel bearing



SPECIFICATIONS

Manufacturer	Freud Tools
Diameter	1 7/8 in
Cut Height, Length, or Width	1/2 in
Overall Length	2 3/4 in

SPECIFICATIONS

Radius	3/8 in
Shank	1/2 in
Thickness	Top Thickness 3/4 in