

Edge of Arlington Saw & Tool, Inc.

124 South Collins
Arlington, TX 76010
Phone: 817-461-7171 • Fax: 817-795-6651
Toll Free: 888-461-7171
Email: info@eoasaw.com
Website: www.eoasaw.com



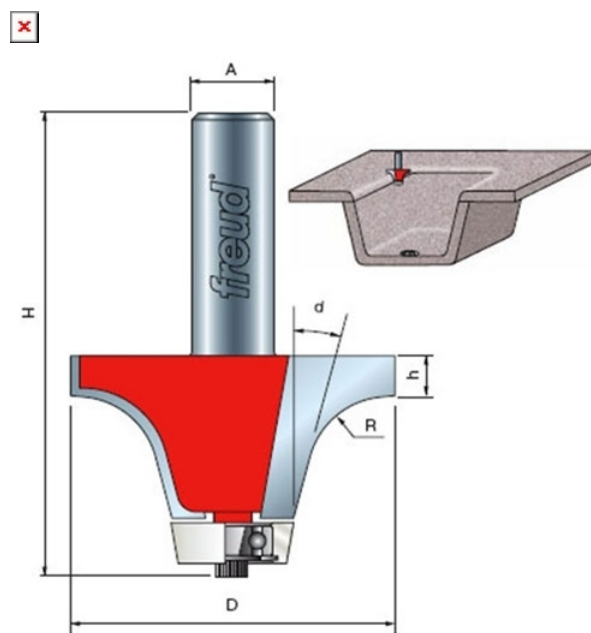
85-140

Item #85-140, Freud Round Over Bowl Bits \$107.30

Thank you for shopping with us!

Application: Trims joint between solid surface countertops and solid surface sink bowls with a smooth, rounded edge

- Specially formulated carbide is ideal for fabricating solid surface materials
- Features non-marring synthetic bearing to protect finished edges
- Cuts all solid surface materials
- Use in hand-held portable routers



SPECIFICATIONS

Manufacturer	Freud Tools
Angle	20 deg
Cut Height, Length, or Width	1 in
Overall Length	2 13/16 in
Radius	1/2 in
Shank	1/2 in
Type	For Corian Bowls 802, 809, 810, 871

SPECIFICATIONS

Usage/System

For Top Thickness 1/2 in