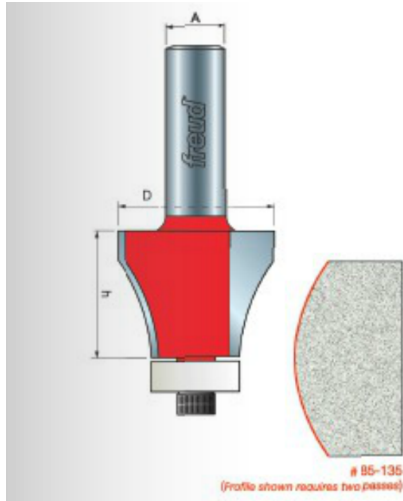


## Edge of Arlington Saw & Tool, Inc.

124 South Collins  
Arlington, TX 76010  
Phone: 817-461-7171 • Fax: 817-795-6651  
Toll Free: 888-461-7171  
Email: [info@eoasaw.com](mailto:info@eoasaw.com)  
Website: [www.eoasaw.com](http://www.eoasaw.com)



### Item #85-135, Freud Solid Surface Edge Profile Bits \$169.81

Thank you for shopping with us!

**Application:** Decorative Edges on all solid surface tops

- Specially formulated carbide is ideal for fabricating solid surface materials
- Cuts all solid surface materials
- Use in hand-held portable routers.

## SPECIFICATIONS

<b>Manufacturer</b>	Freud Tools
<b>Diameter</b>	1 5/16 in
<b>Bearing(s)</b>	Synthetic Bearing
<b>Cut Height, Length, or Width</b>	1 1/16 in
<b>Shank</b>	1/2 in