

Edge of Arlington Saw & Tool, Inc.

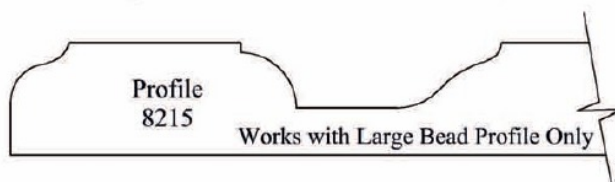
124 South Collins
 Arlington, TX 76010
 Phone:817-461-7171 • Fax: 817-795-6651
 Toll Free: 888-461-7171
 Email: info@eoasaw.com
 Website: www.eoasaw.com



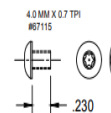
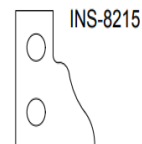
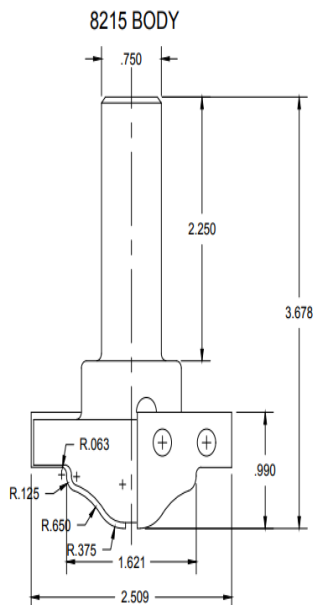
Item #Kit 8215-INS-8215, Vortex MDF Panel Raise Profiles: 8215 BODY W/ INS-8215 INSERT - Large Bead (3/8" R)

\$502.98

Thank you for shopping with us! . Complete your MDF door by adding even more detail by selecting from one of the following panel raise patterns. All cutters are balanced to a G2.5 or better rating. These cutters are designed to be used in conjunction with the "[multiple pass](#)" inside profiles.



INS-8215-KIT



SPECIFICATIONS

Includes	8215 Insert Body, INS-8215 Insert, 67115 Screw
Note	Large Bead Profile Only
Style	MDF Panel Raise Profiles: 8215 BODY W/ INS-8215 INSERT - Large Bead (3/8 in R)

SPECIFICATIONS

Manufacturer Vortex Tool