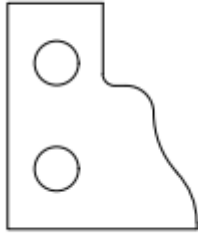


Edge of Arlington Saw & Tool, Inc.

124 South Collins
Arlington, TX 76010
Phone: 817-461-7171 • Fax: 817-795-6651
Toll Free: 888-461-7171
Email: info@eoasaw.com
Website: www.eoasaw.com

INS-10539

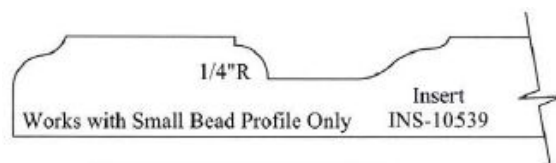


Item #Kit 8215-INS-10539, Vortex MDF Panel Raise Profiles: 8215 BODY W/ INS-10539 INSERT - Small Bead (1/4" R)

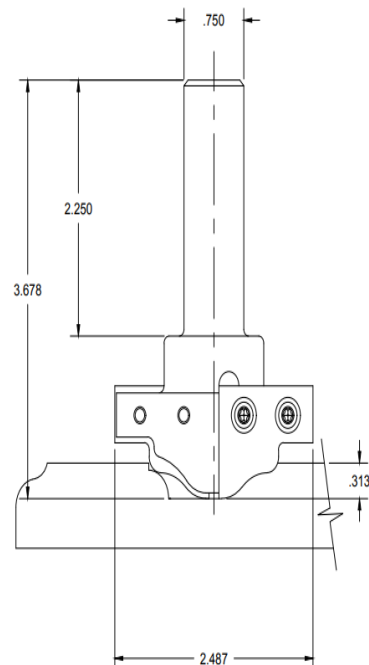
\$502.98

Thank you for shopping with us! .

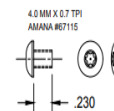
Complete your MDF door by adding even more detail by selecting from one of the following panel raise patterns. All cutters are balanced to a G2.5 or better rating. These cutters are designed to be used in conjunction with the "[multiple pass](#)" inside profiles.



INS-10539-KIT



INS-10539



SPECIFICATIONS

Includes 8215 Insert Body, INS-10539 Insert, 67115 Screws

SPECIFICATIONS

Note	Works with small bead profile only.
Style	MDF Panel Raise Profiles: 8215 BODY W/ INS-10539 INSERT - Small Bead (1/4 in R)
Manufacturer	Vortex Tool