

Edge of Arlington Saw & Tool, Inc.

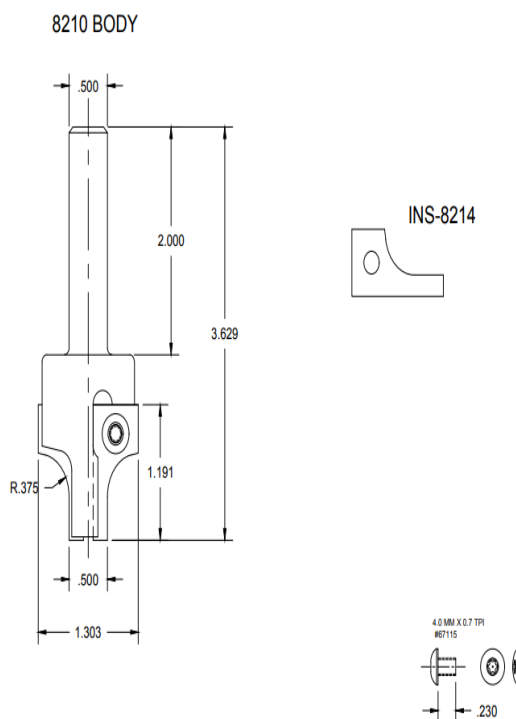
124 South Collins
Arlington, TX 76010
Phone: 817-461-7171 • Fax: 817-795-6651
Toll Free: 888-461-7171
Email: info@eoasaw.com
Website: www.eoasaw.com



Item #Kit 8210-INS-8214, Vortex Series 8200 Insert Round & Rout: 8210 BODY W/ INS-8214 INSERT **\$399.38**

Thank you for shopping with us!

Unique "capture" groove allows this series of insert tools to maintain small cutting diameters, while still providing two cutting edges. Designed to cut .010" through on 3/4" material and top edge round. It is recommended that you ramp in or start off the part when using this tool. Tool is designed so that one body accepts all five inserts! Specify which set of inserts is to be included with the original body purchase.



SPECIFICATIONS

Radius	--
Small Diameter	1/2 in
Type	Series 8200 Insert Round & Rout: 8210 Body w/ INS-8214 Insert
Note	--

SPECIFICATIONS

Manufacturer Vortex Tool