

## Edge of Arlington Saw & Tool, Inc.

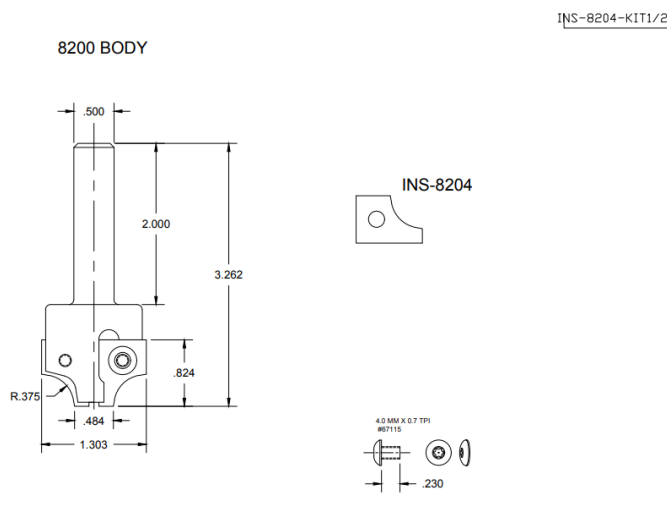
124 South Collins  
Arlington, TX 76010  
Phone: 817-461-7171 • Fax: 817-795-6651  
Toll Free: 888-461-7171  
Email: [info@eoasaw.com](mailto:info@eoasaw.com)  
Website: [www.eoasaw.com](http://www.eoasaw.com)



### Item #Kit 8200-INS-8204, Vortex Series 8200 Insert Round Over: 8200 BODY W/ INS-8204 INSERT \$399.42

Thank you for shopping with us!

Series 8200 Insert Round Overs have been designed to round over the top edge of your material. Our unique capture groove allows this series of tools to maintain small cutting diameters, yet provides two cutting edges. These bodies are designed so that they will accept all five inserts! Specify which set of inserts is to be included with the original body purchase.



## SPECIFICATIONS

<b>Manufacturer</b>	Vortex Tool
<b>Radius</b>	--
<b>Small Diameter</b>	1/2 in
<b>Shank</b>	--
<b>Replacement Parts</b>	67114 Screw; 7000W Wrench
<b>Note</b>	--
<b>Part Descp.</b>	Series 8200 Insert Round Over: 8200 Body w/ INS-8204 Insert