

Edge of Arlington Saw & Tool, Inc.

124 South Collins
Arlington, TX 76010
Phone: 817-461-7171 • Fax: 817-795-6651
Toll Free: 888-461-7171
Email: info@eoasaw.com
Website: www.eoasaw.com

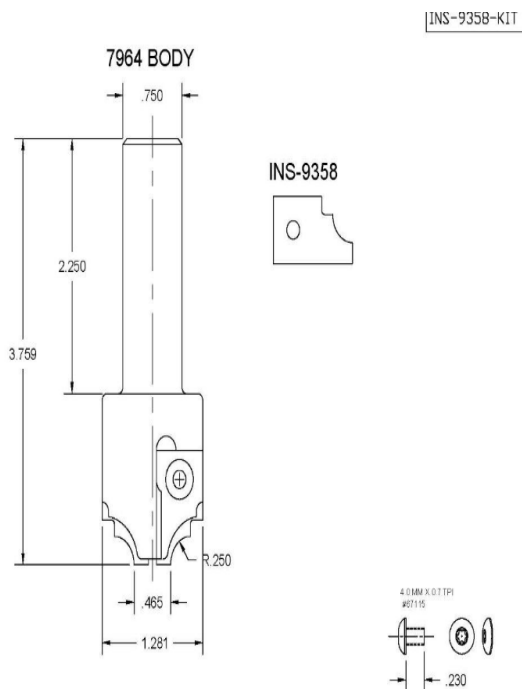


Item #Kit 7964-INS-9358, Vortex MDF Inside Door Profiles - Inside Roughing Profile: 7964 BODY W/ INS-9358 INSERTS - Small Bead (1/4" R)

\$443.08

Thank you for shopping with us! .

These " multiple" pass cutter sets can be used in combination to rough out and corner clean to provide the appearance of a square inside corner. Combine with a raised panel cutter to complete the look of a five-piece assembled door. Bead profile (7964) will accept both a small bead (1/4" radius) or a large bead (3/8" radius) insert so one tool can do both profiles.



SPECIFICATIONS

Profile	Inside Profile - Small Bead (1/4 in Radius)
Style	MDF Inside Door Profiles - Inside Roughing Profile: 7964 Body w/ INS-9358 Inserts
Includes	7964 Inside Roughing Profile Insert Body, INS-9358 Insert, 67115 Screws

SPECIFICATIONS

Note --

Manufacturer Vortex Tool