

Edge of Arlington Saw & Tool, Inc.

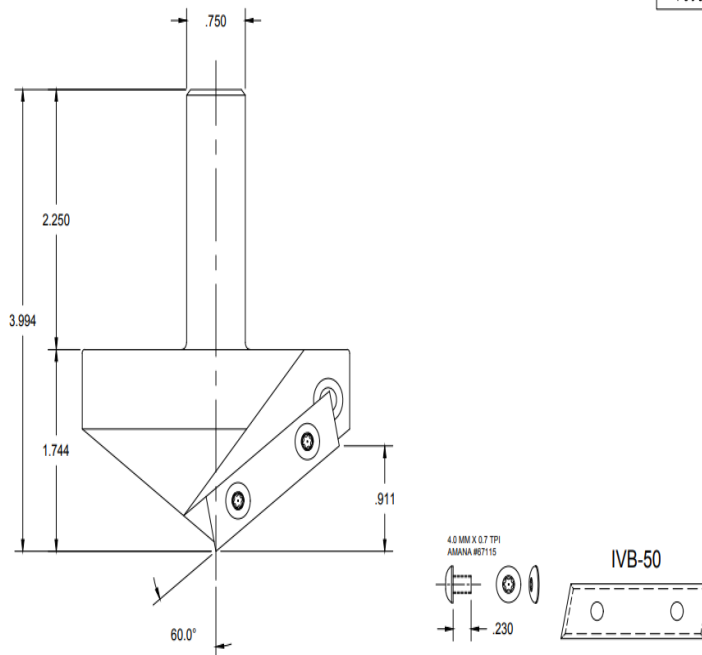
124 South Collins
Arlington, TX 76010
Phone: 817-461-7171 • Fax: 817-795-6651
Toll Free: 888-461-7171
Email: info@eoasaw.com
Website: www.eoasaw.com



Item #7090-Kit, Vortex Series 7000 Insert V-Groove Cutter 3.437" 60° Angle -7090 BODY W/ IVB-50 INSERT **\$407.99**

Thank you for shopping with us! Series 7000 insert router bits are ideal for v-groove operations where the material is to be folded! The angle of the insert is constant and accurate right down to the point of the tool. The 45° angle inserts are indexable. Tool body comes complete and ready to use with insert, screws, and wrench.

7090-KIT



SPECIFICATIONS

Diameter	3.437 in
Cut Depth	0.911 in
Included Angle	120 Deg
Shank	3/4 in
Angle	60 Deg
Includes	7090 3.437 in V-Groove Cutter, IVB-50 Insert, 67115 Screws, 7000W Torx Wrench

SPECIFICATIONS

Manufacturer Vortex Tool