

Edge of Arlington Saw & Tool, Inc.

124 South Collins
Arlington, TX 76010
Phone: 817-461-7171 • Fax: 817-795-6651
Toll Free: 888-461-7171
Email: info@eoasaw.com
Website: www.eoasaw.com

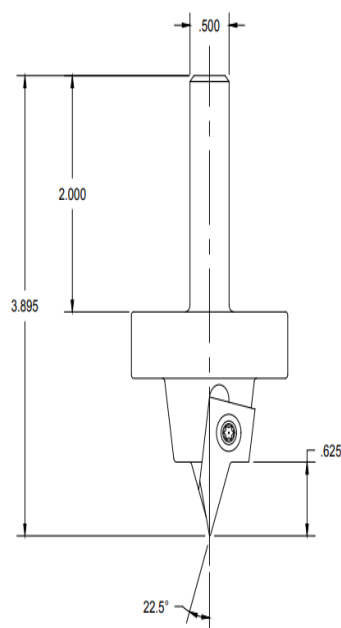


Item #7075-Kit, Vortex Series 7000 Insert V-Groove Cutter 2" 22.5° Angle -7075 BODY W/ IVB 10 INSERT

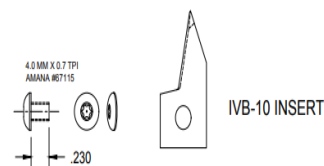
\$336.38

Thank you for shopping with us!

Series 7000 insert router bits are ideal for v-groove operations where the material is to be folded! The angle of the insert is constant and accurate right down to the point of the tool. The 45 angle inserts are indexable. Tool body comes complete and ready to use with insert, screws, and wrench.



7075-KIT



IVB-10 INSERT

SPECIFICATIONS

Diameter	2.00 in
Cut Depth	0.625 in
Included Angle	45 Deg
Shank	1/2 in
Angle	22.5 Deg

SPECIFICATIONS

Includes 7075 2 in V-Groove Cutter, IVB-10 Insert, 67115 Screws, 7000W Torx Wrench

Manufacturer Vortex Tool