

Edge of Arlington Saw & Tool, Inc.

124 South Collins
Arlington, TX 76010
Phone: 817-461-7171 • Fax: 817-795-6651
Toll Free: 888-461-7171
Email: info@eoasaw.com
Website: www.eoasaw.com

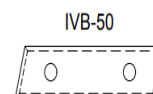
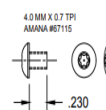
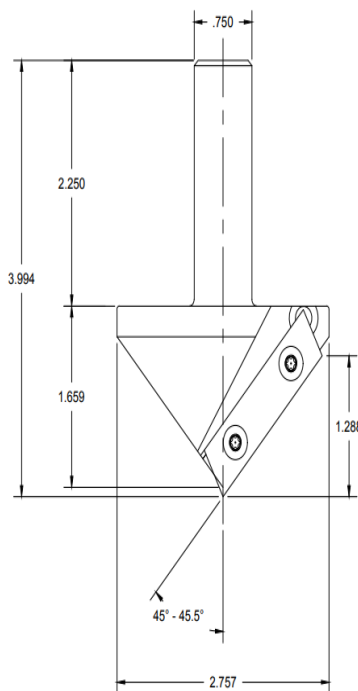


Item #7065-Kit, Vortex Series 7000 Insert V-Groove Cutter 3" 45° Angle -7065 BODY W/ IVB-50 INSERT **\$367.44**

Thank you for shopping with us!

Series 7000 insert router bits are ideal for v-groove operations where the material is to be folded! The angle of the insert is constant and accurate right down to the point of the tool. The 45° angle inserts are indexable. Tool body comes complete and ready to use with insert, screws, and wrench.

7065-KIT



SPECIFICATIONS

Diameter	3.00 in
Cut Depth	1.25 in
Included Angle	90 Deg
Shank	3/4 in
Angle	45 Deg

SPECIFICATIONS

Includes 7065 3 in V-Groove Cutter, IVB-50 Insert, 67115 Screws, 7000W Torx Wrench

Manufacturer Vortex Tool