

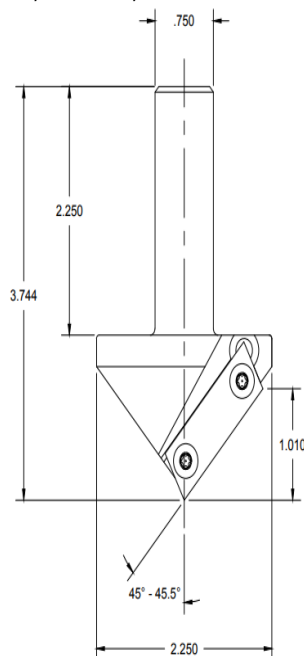
## Edge of Arlington Saw & Tool, Inc.

124 South Collins  
Arlington, TX 76010  
Phone: 817-461-7171 • Fax: 817-795-6651  
Toll Free: 888-461-7171  
Email: [info@eoasaw.com](mailto:info@eoasaw.com)  
Website: [www.eoasaw.com](http://www.eoasaw.com)

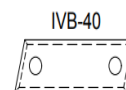
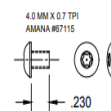


### Item #7060-Kit, Vortex Series 7000 Insert V-Groove Cutter 2.25" 45° Angle -7060 BODY W/ IVB-40 INSERT **\$357.08**

Thank you for shopping with us! Series 7000 insert router bits are ideal for v-groove operations where the material is to be folded! The angle of the insert is constant and accurate right down to the point of the tool. The 45° angle inserts are indexable. Tool body comes complete and ready to use with insert, screws, and wrench.



7060-KIT



## SPECIFICATIONS

<b>Diameter</b>	2.25 in
<b>Cut Depth</b>	1.00 in
<b>Included Angle</b>	90 Deg
<b>Shank</b>	3/4 in
<b>Angle</b>	45 Deg
<b>Includes</b>	7060 2.25 in V-Groove Cutter, IVB-40 Insert, 67115 Screws, 7000W Torx Wrench
<b>Manufacturer</b>	Vortex Tool