

Edge of Arlington Saw & Tool, Inc.

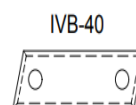
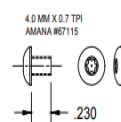
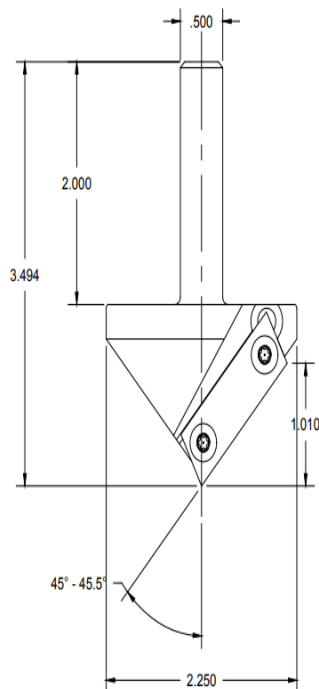
124 South Collins
Arlington, TX 76010
Phone: 817-461-7171 • Fax: 817-795-6651
Toll Free: 888-461-7171
Email: info@eoasaw.com
Website: www.eoasaw.com



Item #7055-Kit, Vortex Series 7000 Insert V-Groove Cutter 2.25" 45° Angle -7055 BODY W/ IVB-40 INSERT \$351.91

Thank you for shopping with us! Series 7000 insert router bits are ideal for v-groove operations where the material is to be folded! The angle of the insert is constant and accurate right down to the point of the tool. The 45° angle inserts are indexable. Tool body comes complete and ready to use with insert, screws, and wrench.

7055-KIT



SPECIFICATIONS

Diameter	2.25 in
Cut Depth	1.00 in
Included Angle	90 Deg
Shank	1/2 in
Angle	45 Deg
Includes	7055 2.25 in V-Groove Cutter, IVB-40 Insert, 67115 Screws, 7000W Torx Wrench
Manufacturer	Vortex Tool