

Edge of Arlington Saw & Tool, Inc.

124 South Collins
Arlington, TX 76010
Phone: 817-461-7171 • Fax: 817-795-6651
Toll Free: 888-461-7171
Email: info@eoasaw.com
Website: www.eoasaw.com

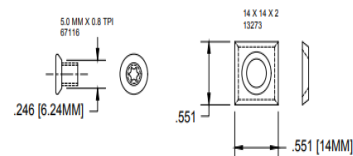
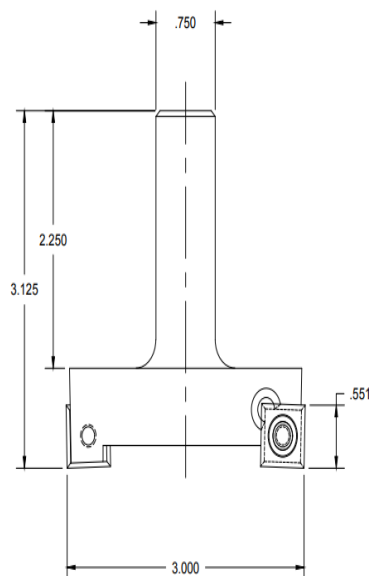


Item #7030-Kit, Vortex Series 7000 3" Insert Spoilboard Cutter -7030 BODY W/ 13273 INSERT \$398.40

Thank you for shopping with us!

Used for surfacing MDF, particle board, and balsa core. The straight face design provides a fast and clean cut. The body has been designed so that the insert remains in place and does not "pivot" on the cutter. Available in 2 or 3 wing geometries and 1/2" or 3/4" shank diameters.

7030-KIT



SPECIFICATIONS

Diameter	3 in
Cut Depth	1/2 in
Includes	7030 3 in Spoilboard Cutter, 13273 4-Sided Inserts, 7001W Torx Driver Wrench, 67116 Replacement Screw

SPECIFICATIONS

Overall Length	3 in
Shank	3/4 in
Wings	3
Manufacturer	Vortex Tool