

Edge of Arlington Saw & Tool, Inc.

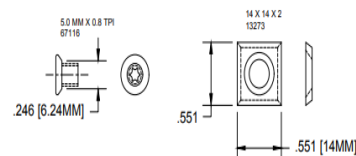
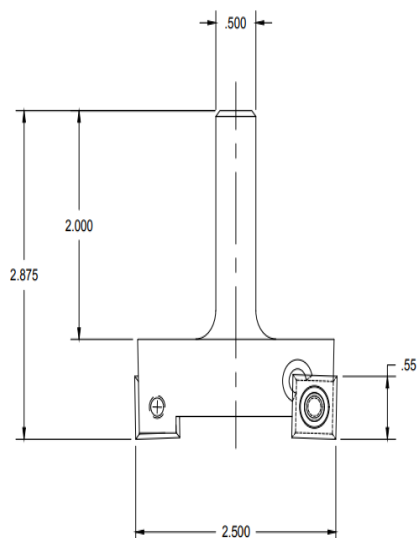
124 South Collins
Arlington, TX 76010
Phone: 817-461-7171 • Fax: 817-795-6651
Toll Free: 888-461-7171
Email: info@eoasaw.com
Website: www.eoasaw.com



Item #7025-Kit, Vortex Series 7000 2 1/2" Insert Spoilboard Cutter -7025 BODY W/ 13273 INSERT \$367.35

Thank you for shopping with us! Used for surfacing MDF, particle board, and balsa core. The straight face design provides a fast and clean cut. The body has been designed so that the insert remains in place and does not "pivot" on the cutter. Available in 2 or 3 wing geometries and 1/2" or 3/4" shank diameters.

7025-KIT



SPECIFICATIONS

Diameter	2 1/2 in
Cut Depth	1/2 in
Includes	7025 2 1/2 in Spoilboard Cutter, 13273 4-Sided Inserts, 7001W Torx Driver Wrench, 67116 Screws
Overall Length	2 1/2 in
Shank	1/2 in
Wings	2

SPECIFICATIONS

Manufacturer Vortex Tool