

Edge of Arlington Saw & Tool, Inc.

124 South Collins
Arlington, TX 76010
Phone: 817-461-7171 • Fax: 817-795-6651
Toll Free: 888-461-7171
Email: info@eoasaw.com
Website: www.eoasaw.com

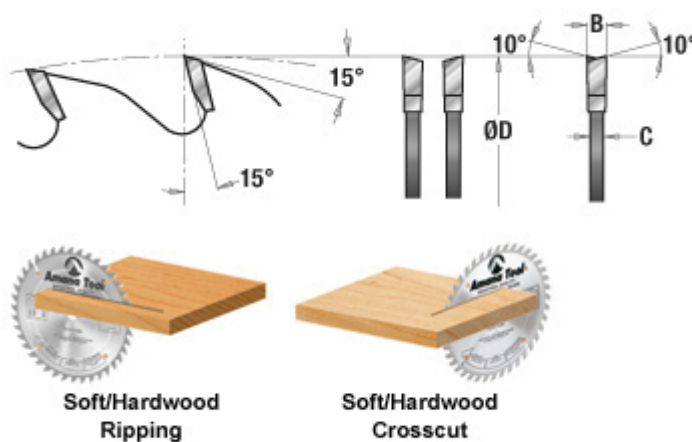


Item #616600, Amana Tool Carbide-Tipped General Purpose 16 Inch Dia x 60T ATB, 15 Deg, 1" Bore \$189.19

Thank you for shopping with us!

While similar in most aspects to the Multi-Use Ripping/General Purpose blade, this one has a slightly lower hook angle (15°). That lower angle improves the surface quality of the cut while increasing the feed pressure required. This blade is a good choice for general purpose ripping and crosscutting of hardwoods and softwoods in a range of thicknesses, with occasional cutting of plywood and other man-made materials.

Warning: Before use, read saw blade safety guidelines in [Amana's catalog](#).



SPECIFICATIONS	
Diameter	16 in (400 mm)
Bore	1 in
Grind	ATB
Kerf	0.137
Note	
Pinholes	1 in

SPECIFICATIONS

Plate	.098 in
Teeth	60
Manufacturer	Amana Tool